

SIZE	OPTION	FLUID
1/2"PT(F)	Alarm Switch	Air Water

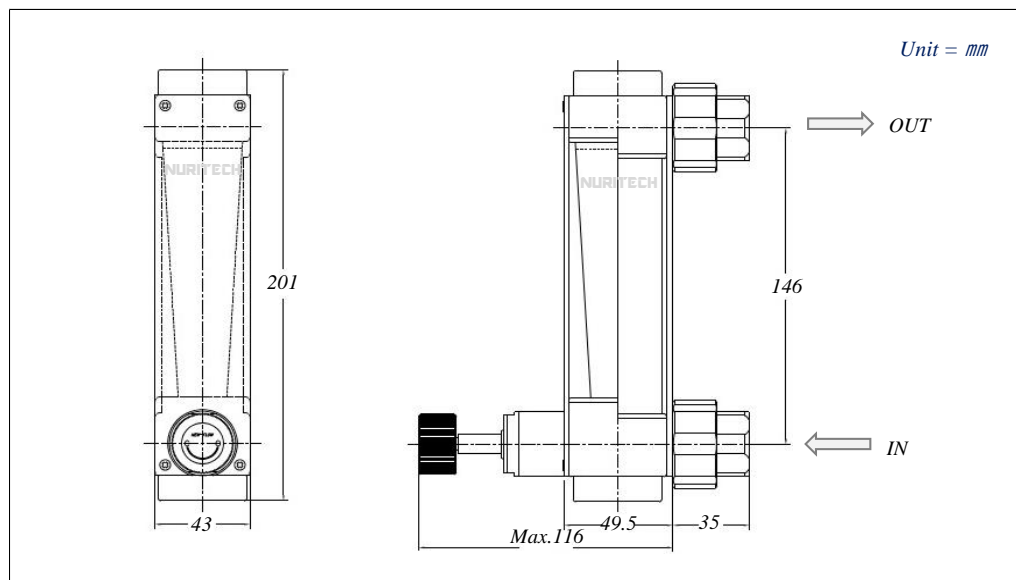
SPECIFICATION

MODEL	MLS
APPLICATION	Air, Water
CONNECTION SIZE	1/2"PT Female Thread
ACCURACY	< 5% F.S.
MATERIAL	Body : Polycarbonate (PC) Float & Guide rod : SS316 Valve & Connection : SS304 O-Ring : FKM
MAX. PRESSURE	12 Bar (@25°C)
FLUID TEMPERATURE	-10...+60°C
FLOW DIRECTION	Bottom Rear to Top Rear
OPTION	1 Alarm Switch (N.O. / Up On or Down On) (AC125V 0.5A / DC100V 10W / max. DC250V < 40mA)



FLOW RANGE & DIMENSION

Air	Flow Range(L/min)
	90 ~ 900
	120 ~ 1200
Water	Flow Range(L/min)
	2.5 ~ 25
	3 ~ 30
	5 ~ 50



| FLOW | | PRESSURE | | TEMPERATURE | | AC | | DC | | BATTERY | | OUTPUT | | CONTACT | | DISPLAY |

