

# VF100

ACRYLIC PLASTIC FLOW METER

Approvals:



SIZE	OPTION	FLUID
3/8 inch ↓ 3/4 inch	Alarm Switch	Air Water

## SPECIFICATION

MODEL	VF100
APPLICATION	Air, Water
SIZE	3/8 ~ 3/4 inch
PROCESS CONNECTION	NPT Female Thread
ACCURACY	< 5% F.S.
MATERIAL	Body : Acrylic Plastic Float & Guide rod : SS316 Connection : SS316 O-Ring : FKM
MAX. PRESSURE	10 Bar (@38°C)
FLUID TEMPERATURE	-24...+54°C
FLOW DIRECTION	Bottom to Top
OPTION	1 Alarm Switch (N.O. / Up On or Down On) (AC125V 0.5A / DC100V 10W / max. DC250V < 40mA)



Original Type



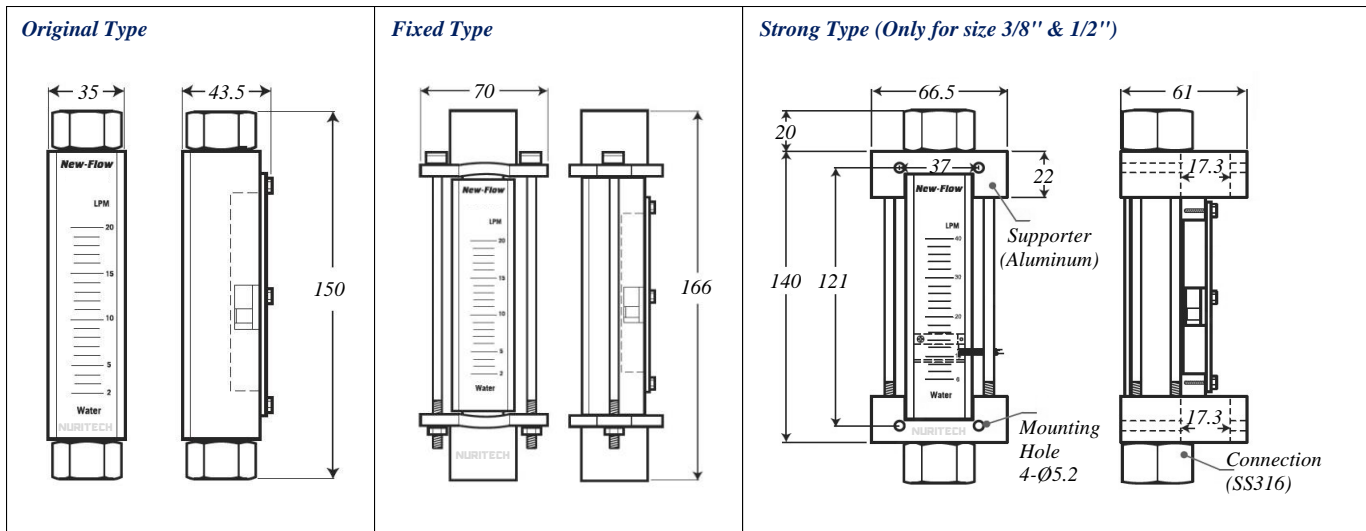
Fixed Type

## FLOW RANGE & FLOW DIRECTION

	Flow Range (L/min)		Flow Direction
	Water	Air	
	0.1 ~ 1	2 ~ 20	<p>Bottom to Top</p>
	0.2 ~ 2	6 ~ 60	
	0.4 ~ 4	12 ~ 120	
	0.6 ~ 6	20 ~ 200	
	1 ~ 10	40 ~ 400	

FLOW | PRESSURE | TEMPERATURE | AC | DC | BATTERY | OUTPUT | CONTACT | DISPLAY

### DIMENSIONS (mm)



### ORDERING INFORMATION

VF100	Model				
Code	Type	Code	Type	Code	Type
G	Original Type	F	Fixed Type	S	Strong Type
	<b>Code</b>	<b>Flow Range (Water)</b>	<b>Code</b>	<b>Flow Range (Air)</b>	
	A2(5)	0.1 ~ 1 LPM	B(10)	2 ~ 20 LPM	
	A2(6)	0.2 ~ 2 LPM	B(11)	6 ~ 60 LPM	
	A2(7)	0.4 ~ 4 LPM	B(12)	12 ~ 120 LPM	
	A2(8)	0.6 ~ 6 LPM	B(13)	20 ~ 200 LPM	
	A2(9)	1 ~ 10 LPM	B(14)	40 ~ 400 LPM	
	<b>Code</b>	<b>Alarm Switch</b>			
	IR	With (Choose between Up On and Down On)			
	O	Without Alarm Switch			
	<b>Code</b>	<b>Process Connection</b>			
	A	3/8" NPT Female Thread			
	B	1/2" NPT Female Thread			
	C	3/4" NPT Female Thread (not applicable to Strong Type)			
	<b>Code</b>	<b>Flow Direction</b>			
	BT	Bottom to Top			
VF100					<b>Complete Ordering Code</b>

| FLOW | | PRESSURE | | TEMPERATURE | | AC | | DC | | BATTERY | | OUTPUT | | CONTACT | | DISPLAY |