

SF100

ACRYLIC PLASTIC FLOW METER

Approvals:

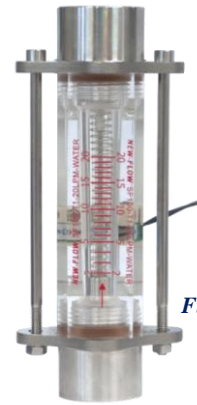
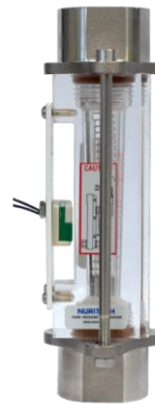


FLOW | PRESSURE | TEMPERATURE | AC | DC | BATTERY | OUTPUT | CONTACT | DISPLAY

SIZE	OPTION	FLUID
3/8 inch 1 3/4 inch	Alarm Switch	Water

SPECIFICATION

MODEL	SF100
APPLICATION	Water
SIZE	3/8 ~ 3/4 inch
PROCESS CONNECTION	NPT Female Thread
ACCURACY	< 5% F.S.
MATERIAL	Body : Acrylic Plastic Float & Connection : SS316 Spring & Guide rod : SS316 O-Ring : FKM
MAX. PRESSURE	10 Bar (@38°C)
FLUID TEMPERATURE	-24...+54°C
FLOW DIRECTION	Any flow direction available
OPTION	1 Alarm Switch (N.O. / Up On or Down On) (AC125V 0.5A / DC100V 10W / max. DC250V < 40mA)



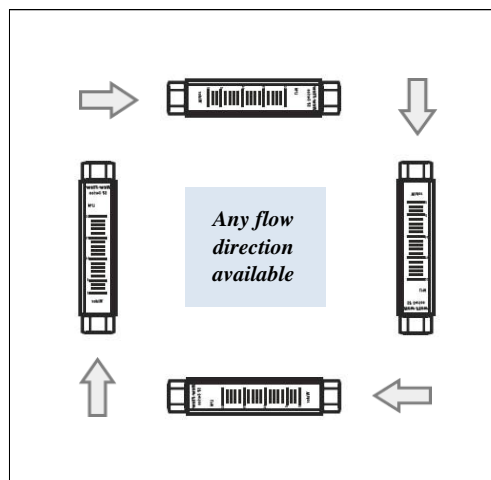
Fixed Type



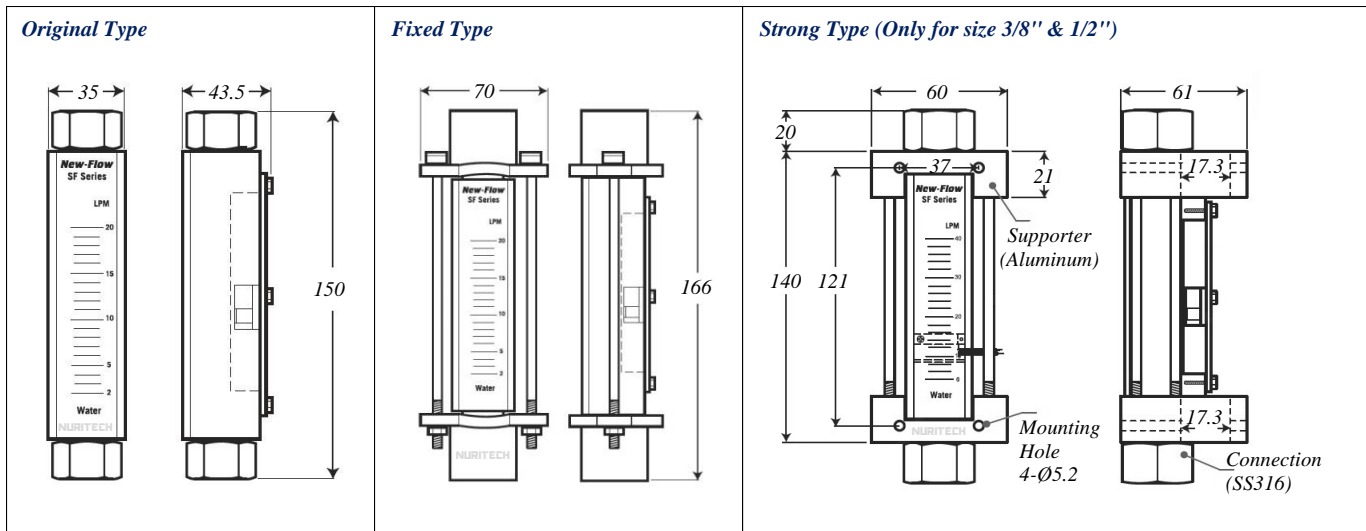
Strong Type

FLOW RANGE & FLOW DIRECTION

Water	Flow Range (L/min)
	0.6 ~ 4
	1.6 ~ 10
	2 ~ 20
	3 ~ 30
	6 ~ 40
	5 ~ 50
	6 ~ 60



DIMENSIONS (mm)



ORDERING INFORMATION

SF100	Model					
	Code	Type	Code	Type	Code	Type
	G	Original Type	F	Fixed Type	S	Strong Type
	Code	Flow Range (Water)	Code	Flow Range (Water)		
	A	0.6 ~ 4 LPM	E	3 ~ 30 LPM		
	B	1.6 ~ 10 LPM	F	5 ~ 50 LPM		
	C	2 ~ 20 LPM	G	6 ~ 60 LPM		
	D	6 ~ 40 LPM				
	Code	Alarm Switch				
	IR	With (Choose between Up On and Down On)				
	O	Without Alarm Switch				
	Code	Process Connection				
	A	3/8" NPT Female Thread				
	B	1/2" NPT Female Thread				
	C	3/4" NPT Female Thread (not applicable to Strong Type)				
	Code	Flow Direction	Code	Flow Direction		
	BT	Bottom to Top	TB	Top to Bottom		
	LR	Left to Right	RL	Right to Left		
SF100					Complete Ordering Code	

| FLOW | | PRESSURE | | TEMPERATURE | | AC | | DC | | BATTERY | | OUTPUT | | CONTACT | | DISPLAY |