

CND

FLUSH DIAPHRAGM PRESSURE TRANSMITTER

RANGE

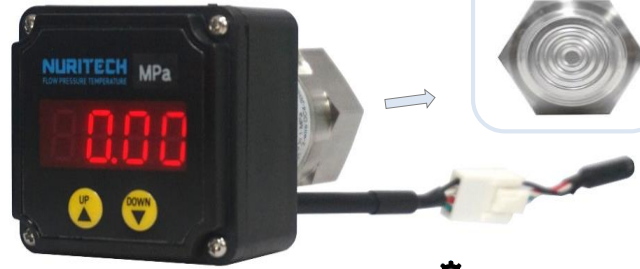
0 ~ 0.5 ...
350 bar

ACCURACY

+/-
0.5 %

MEDIA

**Liquid
&
Gas**



SPECIFICATION

MODEL	CND
ACCURACY	±0.5% F.S@25°C.
RANGE	0 ~ 0.5 . . . 350 bar 0 ~ 0.5 bar 부터 0 ~ 350 bar 사이의 모든 압력범위 제작가능 진공 및 연성 제작 가능
OUTPUT	2-wire DC4-20mA
POWER	DC24V
TEMPERATURE LIMIT	Operating : -10 ~ 80 °C Ambient : -10 ~ 60 °C
COMPENSATED TEMPERATURE	0 ~ 50 °C
MATERIAL	Display : PC Housing : 304SS Wetted Parts : 316SS Other materials available*
UNIT	bar, kgf/cm2, MPa, kPa, psi, mmH2O, mmHg... Other units available
ELECTRICAL CONNECTION	4-PIN Harness & Cable *=-Optional

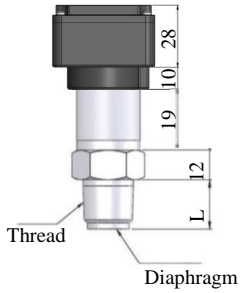
SCS Type

DIAPHRAGM SEAL

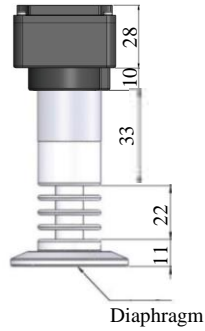
	Threaded Flush Diaphragm Seal TFS 1/2", 3/4", 1", 1-1/2", 2" PT Male -10 ~ 80 °C Max.200 °C* 316LSS, Hastelloy C*		Sanitary Clamped Diaphragm Seal SCS 1, 1.5, 2, 3S -15 ~ 120 °C Max.200 °C* 316LSS, Hastelloy C*																												
	<table border="1"> <tr> <th colspan="5">Temperature coefficient (mbar/10 °C)</th> </tr> <tr> <th>1/2"</th> <th>3/4"</th> <th>1"</th> <th>1-1/2"</th> <th>2"</th> </tr> <tr> <td>+100</td> <td>+50</td> <td>+30</td> <td>+15</td> <td>+6</td> </tr> </table>		Temperature coefficient (mbar/10 °C)					1/2"	3/4"	1"	1-1/2"	2"	+100	+50	+30	+15	+6	<table border="1"> <tr> <th colspan="5">Temperature coefficient (mbar/10 °C)</th> </tr> <tr> <th>1S</th> <th>1.5S</th> <th>2S</th> <th>3S</th> <th>4S</th> </tr> <tr> <td>+20</td> <td>+15</td> <td>+5</td> <td>+2</td> <td>+2</td> </tr> </table>	Temperature coefficient (mbar/10 °C)					1S	1.5S	2S	3S	4S	+20	+15	+5
Temperature coefficient (mbar/10 °C)																															
1/2"	3/4"	1"	1-1/2"	2"																											
+100	+50	+30	+15	+6																											
Temperature coefficient (mbar/10 °C)																															
1S	1.5S	2S	3S	4S																											
+20	+15	+5	+2	+2																											
	Diaphragm Screw Seal DSS 1/2", 3/4", 1"PT Male or Female -40 ~ 200 °C -75 ~ 300 °C* 316LSS Hastelloy C, Inconel 600, Tantalum Titanium, Nickel*		Flush Diaphragm Seal FFS 40, 50, 80, 100A -40 ~ 200 °C -75 ~ 300 °C* 316LSS Hastelloy C, Inconel 600, Tantalum Titanium, Nickel, Teflon Coating*																												

DIMENSION (mm)

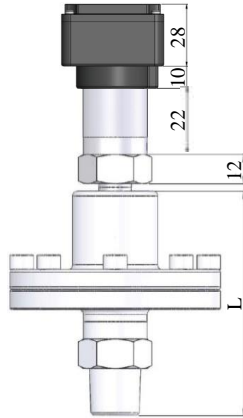
TFS TYPE



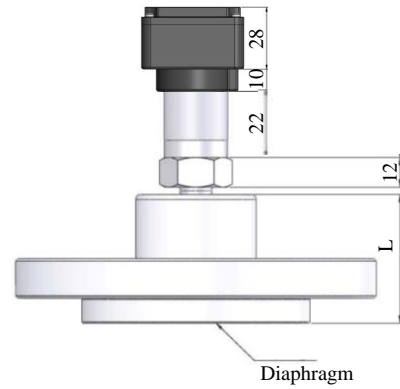
SCS TYPE



DSS TYPE

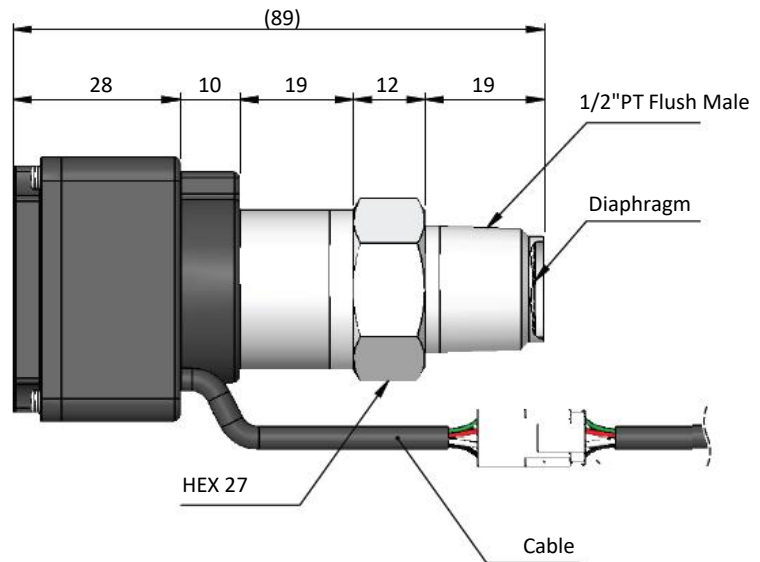
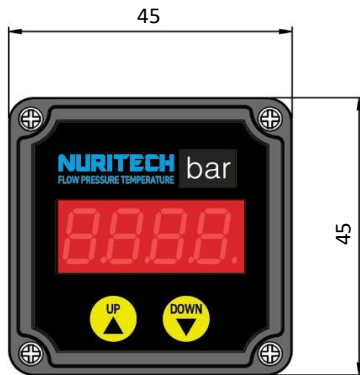


FFS TYPE



※ 제품의 사양에 따라 변경 될 수 있습니다

TFS 1/2"PT TYPE



| FLOW | | PRESSURE | | TEMPERATURE | | AC | | DC | | BATTERY | | OUTPUT | | CONTACT | | DISPLAY |

Ordering Information

Code	Model
CND	CND

Code	Diaphragm Seal
1	TFS
2	SCS
3	DSS
4	FFS

Code	Pressure Range
제작범위	0~0.5 bar 부터 0~350 bar 까지 요청 압력범위 선택 ex) 0~1 bar, 0~10 bar, 0~100 bar ...
선택기재	진공압 및 연성압 제작 가능 ex) -1~0 bar, -1~+1 bar, -1~+10 bar ...

Code	Output
1	2-wire DC4-20mA

TFS Type		SCS Type		DSS Type		FFS Type	
Code	Size	Code	Size	Code	Size	Code	Size
T1	1/2"PT	S1	1S	D1	1/2"PT	F40	40A
T2	3/4"PT	S1.5	1.5S	D2	3/4"PT	F50	50A
T3	1"PT	S2	2S	D3	1"PT	F80	80A
T4	2"PT	S3	3S			F100	100A

※ Special process connections available on request



| FLOW |
 | PRESSURE |
 | TEMPERATURE |
 | AC |
 | DC |
 | BATTERY |
 | OUTPUT |
 | CONTACT |
 | DISPLAY |