

MF220

TURBINE FLOW SENSOR

CONNECTION

G 1/8"
Male Thread

MATERIAL

PVDF

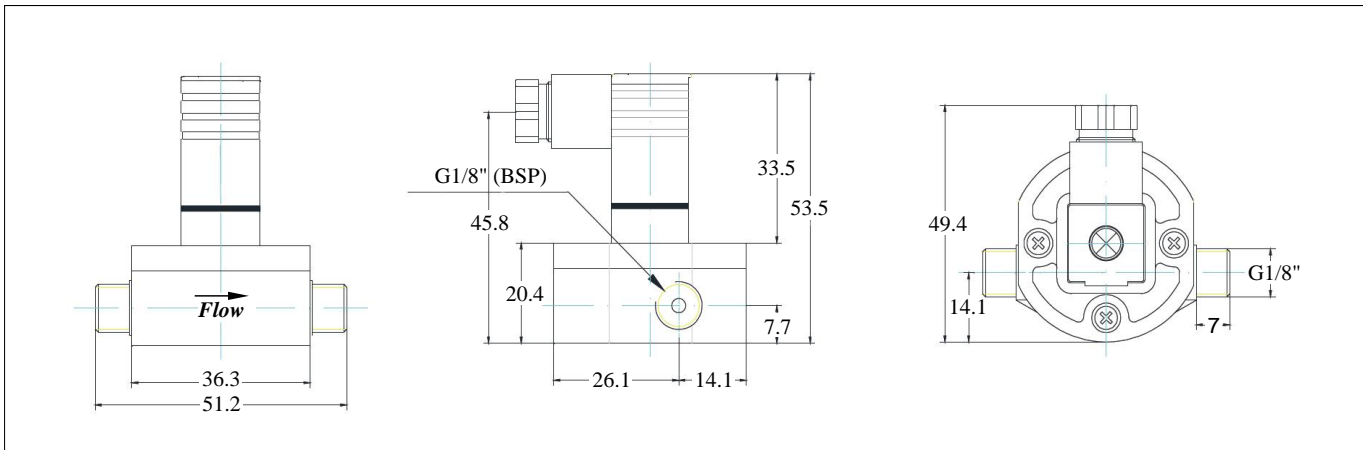
MEDIA

Liquid

SPECIFICATION

MODEL	MF220
APPLICATION	Liquid
FLOW RANGE	30 ... 900 cc/min
CONNECTION	G 1/8" Male Thread
INLET INSIDE DIAMETER	1.0 mm
ACCURACY	< 2.0% F.S.
REPEATABILITY	< 0.5% F.S.
MATERIAL	Body : PVDF Rotor : PVDF Axle : PVDF Bearing : PVDF O-Ring : FKM
OUTPUT	Pulse (Hall Effect, 3-wire)
PRESSURE LIMIT	4 Bar (@20°C)
MEDIUM TEMPERATURE	-10 ... +100°C
POWER	5 ... 24 VDC

DIMENSION (mm)



| FLOW | | PRESSURE | | TEMPERATURE | | AC | | DC | | BATTERY | | CONTACT | | DISPLAY |