

# VF300

## ACRYLIC PLASTIC FLOW METER

### SIZE

3/8 inch  
1/2 inch  
3/4 inch

### OPTION

Alarm  
Switch

### MEDIA

Air & N<sub>2</sub>  
Water

### SPECIFICATION

<b>MODEL</b>	VF300
<b>APPLICATION</b>	Air & N <sub>2</sub> , Water
<b>CONNECTION SIZE</b>	3/8"NPT Female Thread 1/2"NPT Female Thread 3/4"NPT Female Thread
<b>ACCURACY</b>	< 5% F.S.
<b>MATERIAL</b>	Body : Polycarbonate (PC, std.) Polysulfone (PSU, optional) Float : 316SS Guide rod : 316SS Connection : 316SS O-Ring : Viton
<b>PRESSURE LIMIT</b>	12 Bar (@25°C)
<b>MEDIUM TEMPERATURE</b>	PC Body : -10...+60°C PSU Body : -10...+110°C
<b>FLOW DIRECTION</b>	Bottom to Top
<b>OPTION</b>	1 Alarm Switch (N.O. / Up On or Down On) (AC125V 0.5A / DC100V 10W / max. DC250V < 40mA)



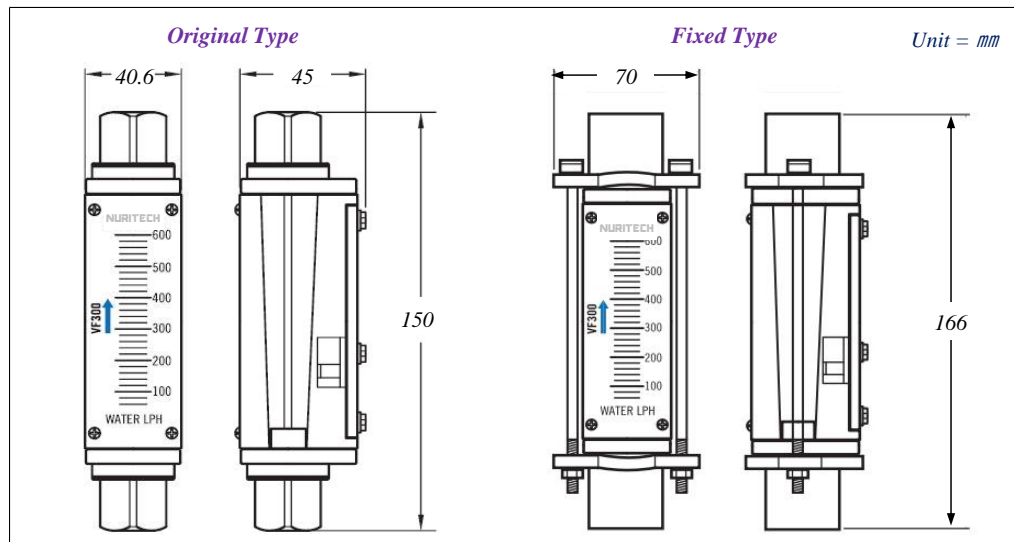
### Approvals:



### FLOW RANGE & DIMENSION

Air & N <sub>2</sub>	Flow Unit (L/min)	
	3 ~ 30	
	6 ~ 60	
	12 ~ 120	
	18 ~ 180	
	40 ~ 400	

Water	Flow Unit	
	L/min	L/hr
		5 ~ 50
	0.1 ~ 1	6 ~ 60
	0.2 ~ 2	12 ~ 120
	0.3 ~ 3	20 ~ 200
	0.5 ~ 5	30 ~ 300
1 ~ 10	60 ~ 600	



FLOW | PRESSURE | TEMPERATURE | AC | DC | BATTERY | OUTPUT | CONTACT | DISPLAY