

SF350

ACRYLIC PLASTIC FLOW METER

Approvals:



SIZE

3/4 inch
↓
1-1/2 inch

OPTION

Alarm
Switch

FLUID

Water

SPECIFICATION

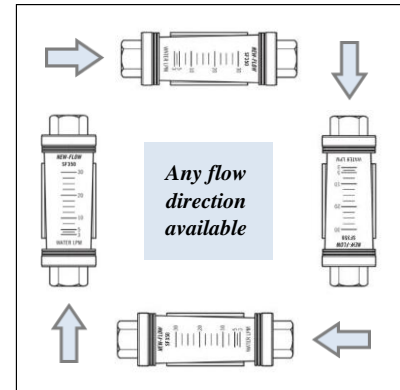
MODEL	SF350
APPLICATION	Water
SIZE	3/4 ~ 1-1/2 inch
PROCESS CONNECTION	NPT Female Thread
ACCURACY	< 5% F.S.
MATERIAL	Body : Polycarbonate (PC), Polysulfone (PSU) Float : PPS / Guide rod : SS316 Spring & Connection : SS316 O-Ring : FKM
MAX. PRESSURE	12 Bar (@25°C)
FLUID TEMPERATURE	PC Body : -10...+60°C PSU Body : -10...+110°C
FLOW DIRECTION	Any flow direction available
OPTION	1 Alarm Switch (N.O. / Up On or Down On) (AC125V 0.5A / DC100V 10W / max. DC250V < 40mA)



Original Type

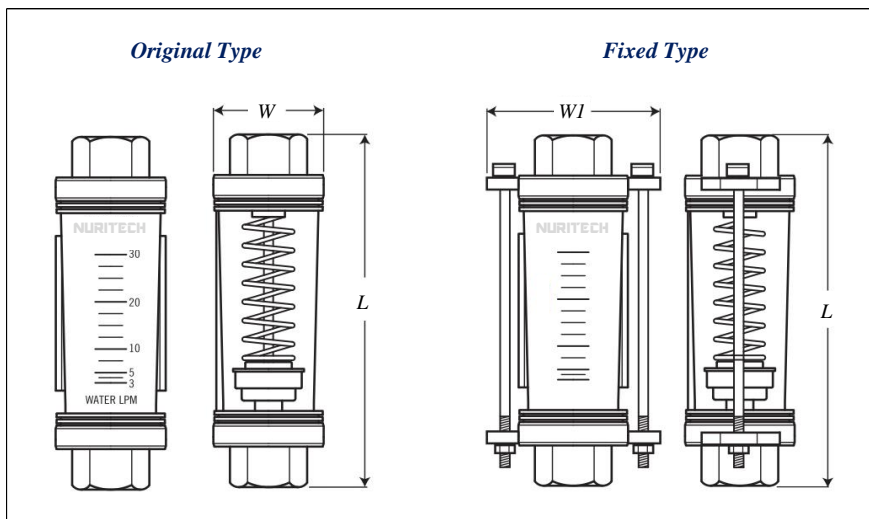


Fixed Type



FLOW RANGE & DIMENSION

Flow Range (L/min)	Size (NPT)	Dimension (mm)		
		L	W	W1
7 ~ 70	3/4"	165.5	55	85
	1"			
10 ~ 100	3/4"	165.5	55	85
	1"			
15 ~ 150	3/4"	165.5	55	85
	1"			
20 ~ 200	1-1/4"	175	60	92
	1-1/2"			
25 ~ 250	1-1/4"	175	60	92
	1-1/2"			



FLOW | PRESSURE | TEMPERATURE | AC | DC | BATTERY | OUTPUT | CONTACT | DISPLAY

ORDERING INFORMATION

SF350	Model							
	Code	Type	Code	Type				
	G	<i>Original Type</i>	F	<i>Fixed Type</i>				
	Code	Flow Range						
	A	7 ~ 70 LPM						
	B	10 ~ 100 LPM						
	C	15 ~ 150 LPM						
	D	20 ~ 200 LPM (only for size 1-1/4" or 1-1/2")						
	E	25 ~ 250 LPM (only for size 1-1/4" or 1-1/2")						
	Code	Alarm Switch						
	IR	<i>With (Choose between Up On and Down On)</i>						
	O	<i>Without Alarm Switch</i>						
	Code	Body Material	Code	Body Material				
	PC	<i>Polycarbonate</i>	PSU	<i>Polysulfone</i>				
	Code	Connection Material						
	I	SS316						
	Code	Process Connection						
	A	3/4" NPT Female Thread						
	B	1" NPT Female Thread						
	C	1-1/4" NPT Female Thread (only for 200, 250 LPM)						
	D	1-1/2" NPT Female Thread (only for 200, 250 LPM)						
	Code	Flow Direction						
	BT	<i>Bottom to Top</i>						
	TB	<i>Top to Bottom</i>						
	RL	<i>Right to Left</i>						
	LR	<i>Left to Right</i>						
SF350							Complete Ordering Code	

| FLOW | | PRESSURE | | TEMPERATURE | | AC | | DC | | BATTERY | | OUTPUT | | CONTACT | | DISPLAY |