

AT15

PRESSURE TRANSMITTER

RANGE

0 ~ 2 ...
15 bar

ACCURACY

+ / -
0.5 %

MEDIA

**Liquid
&
Gas**

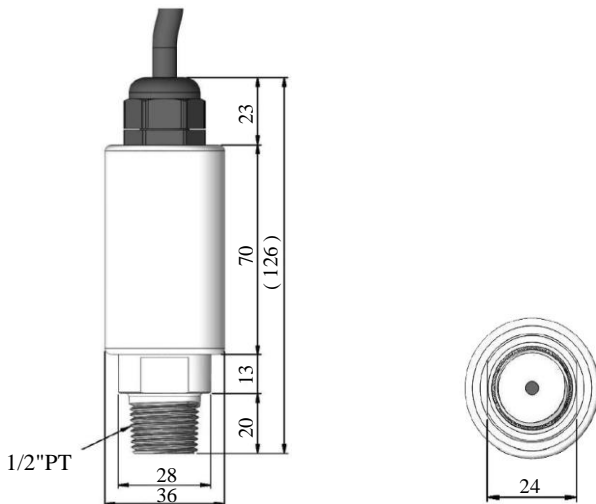
SPECIFICATION

MODEL	AT15
ACCURACY	±0.5% F.S.@25°C
RANGE	0 ~ 2 . . . 15 bar 0 ~ 2 bar 부터 0 ~ 15 bar 사이의 모든 압력범위 제작가능 연성 및 절대압 제작 가능
OUTPUT	DC4-20mA : 2-wire or 4-wire 1~5V DC : 3-wire or 4-wire 0.1~5V DC : 3-wire or 4-wire 0.1~10V DC : 3-wire or 4-wire
POWER	DC24V
TEMPERATURE RANGES	Media : -20 ~ 80°C Ambient : -20 ~ 60°C Compensated : 0 ~ 50°C
MATERIAL	Housing : Teflon Wetted Parts : AL ₂ O ₃ , Viton and Teflon
PROCESS CONNECTION	1/2" PT
UNIT	bar, kgf/cm ² , Mpa, kPa, psi, mmH ₂ O, mmHg... Other unit available



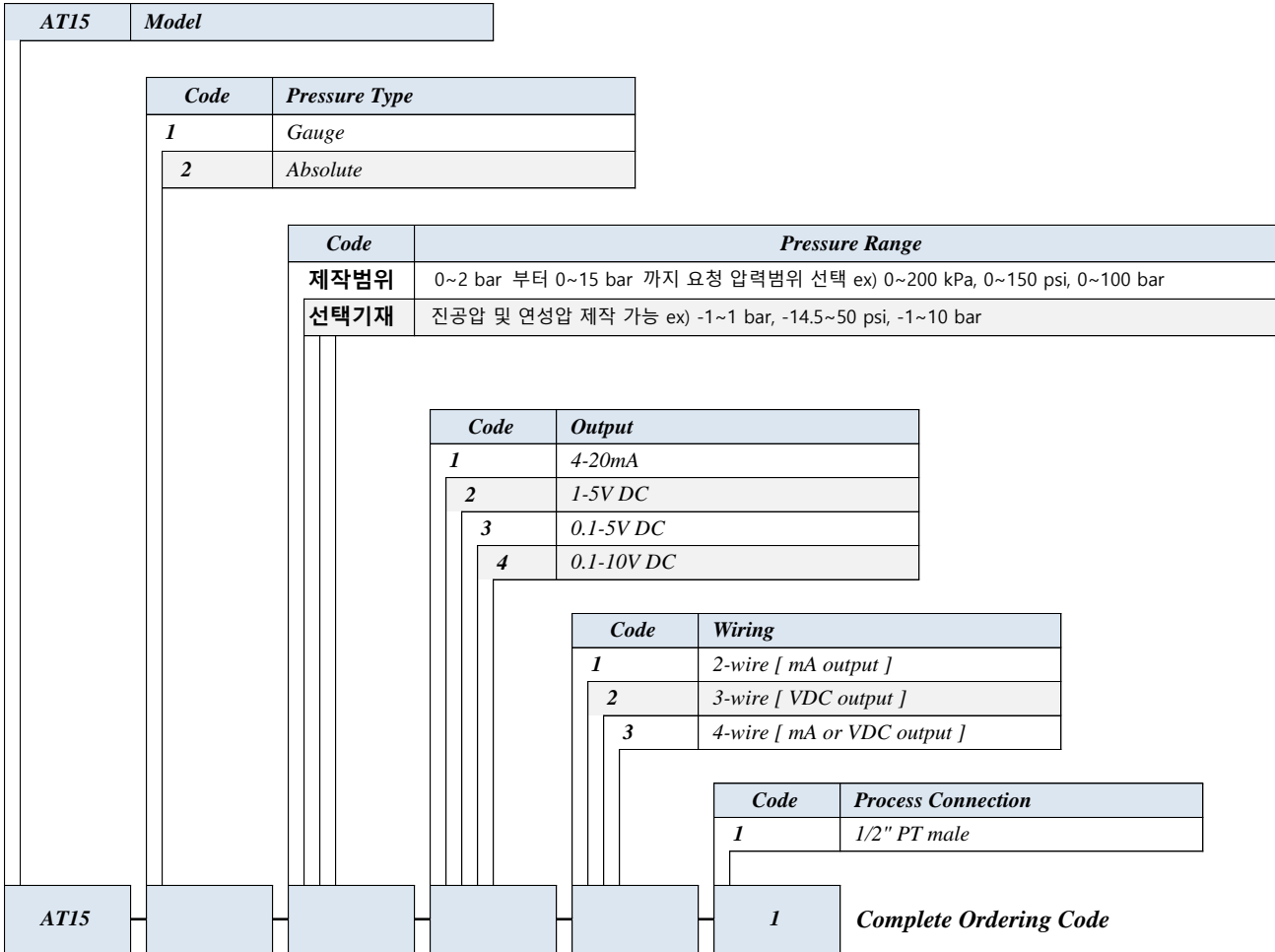
| FLOW | | PRESSURE | | TEMPERATURE | | AC | | DC | | BATTERY | | OUTPUT | | CONTACT | | DISPLAY |

DIMENSION (mm)



※ 제품의 사양에 따라 변경 될 수 있습니다

Ordering Information



| FLOW | | PRESSURE | | TEMPERATURE | | AC | | DC | | BATTERY | | OUTPUT | | CONTACT | | DISPLAY |

RELATED PRODUCTS

PD1

PRESSURE INDICATOR
Only Display



PD2

PRESSURE INDICATOR
Output Signal



MODEL	PD1
DISPLAY	4-Digit Red LED
ACCURACY	±0.2% F.S.
SAMPLING CYCLE	200ms
INPUT	DC4-20mA
OUTPUT	None
AMBIENT TEMPERATURE	-10 to 60°C
HOUSING MATERIAL	ABS Resin
POWER	AC110/220V, 50~60Hz DC24V [option]
FEATURE	Adjustable Scale & Decimal Point Peak Hold Correction of error Built in Power supply for transmitter [DC24V]
MOUNTING	Panel mounting Type

Size : 96(W) x 48(H) x 112(D)
Panel Cut : 92(W) x 45(H)

MODEL	PD2
DISPLAY	4-Digit Red LED
ACCURACY	±0.2% F.S.
SAMPLING CYCLE	200ms
INPUT	DC4-20mA
OUTPUT	DC4-20mA 2-Relays output [DC24V-1A, AC240V-0.5A] RS-485 [option] 1~5V DC [option]
AMBIENT TEMPERATURE	-10 to 60°C
HOUSING MATERIAL	ABS Resin
POWER	AC110/220V, 50~60Hz DC24V [option]
FEATURE	Adjustable Scale & Decimal Point Peak Hold Correction of error Built in Power supply for transmitter [DC24V]
MOUNTING	Panel mounting Type