

RPFTF-25

Pendulum room humidity and temperature sensor

RANGE

0~95 %
-30~70 °C

POWER

15 ... 36
V DC

OUTPUT

4-20mA
0~10V

Approvals



Messtechnik
Made in Germany

SPECIFICATION

MODEL	RPFTF-25
OUTPUT	DC4-20mA 0-10V
POWER	15 to 36V DC
MEASURING RANGE	Humidity : 0 to 100% r.H. Temperature : -35 to 35, -35 to 75, 0 to 50, 0 to 80 °C
OPERATING RANGE	Humidity : 0 to 95% r.H. [without formation of dew] Temperature : -30 to 70 °C
DEVIATION	Humidity : typically ±1.8% [10...90% r.H.] at +25 °C, otherwise ±2% r.H. Temperature : typically ±0.2K at +25 °C
AMBIENT TEMPERATURE	-30 ... +70 °C, non-precipitating
SENSOR PROTECTION	pluggable measuring head [probe] with metal sinter filter, Φ 16mm, L=88.5mm
PROTECTIVE TUBE	stainless steel, Φ=18mm [16mm], L=120mm
CABLE CONNECTION	approx.2m
CABLE GLAND	M16x1.5, max. inner diameter 10.4mm
PROTECTION TYPE	IP65 [according to EN 60529]
ELECTRICAL CONNECTION	3-, or 4-wire connection 0.14 - 1.5 mm ² , via terminal screws on circuit board

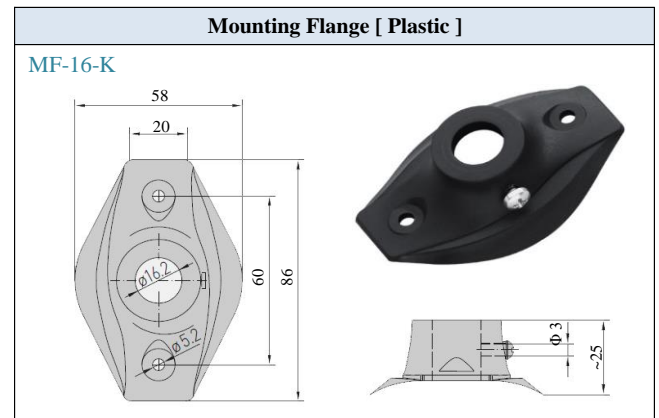


with display



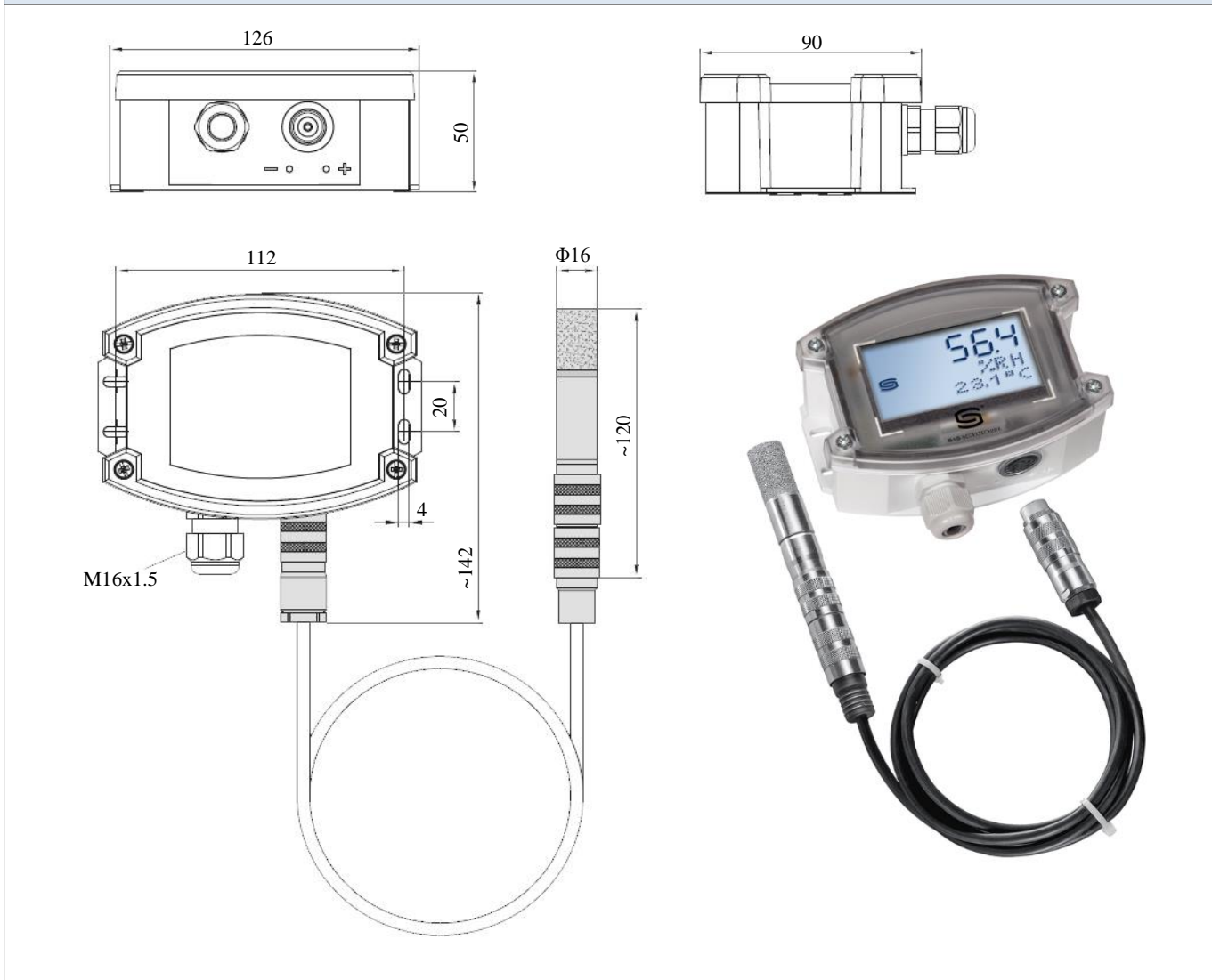
without display

Temperature measuring ranges [Adjustable]	DIP 1	DIP 2
-35 ... +75 °C	ON	ON
-35 ... +35 °C	OFF	OFF
0 ... +50 °C	OFF	ON
0 ... +80 °C	ON	OFF



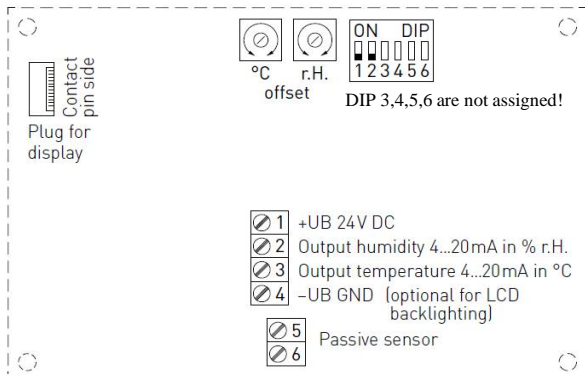
DIMENSION (mm)

※ 제품의 사양에 따라 변경 될 수 있습니다



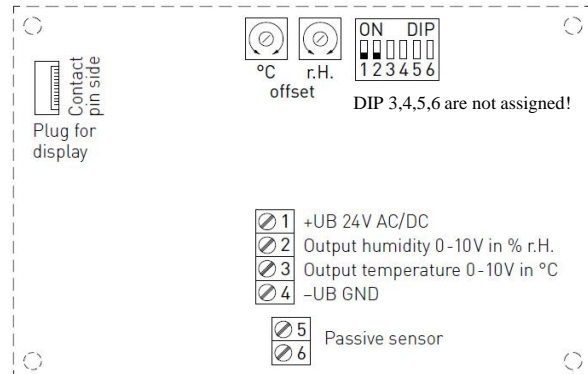
DIAGRAM

4-20mA 3 or 4-wire



- 1 +UB 24V DC
- 2 Output humidity in % r.H. 4-20mA
- 3 Output temperature in °C 4-20mA
- 4 -UB-GND [optional for backlighting]

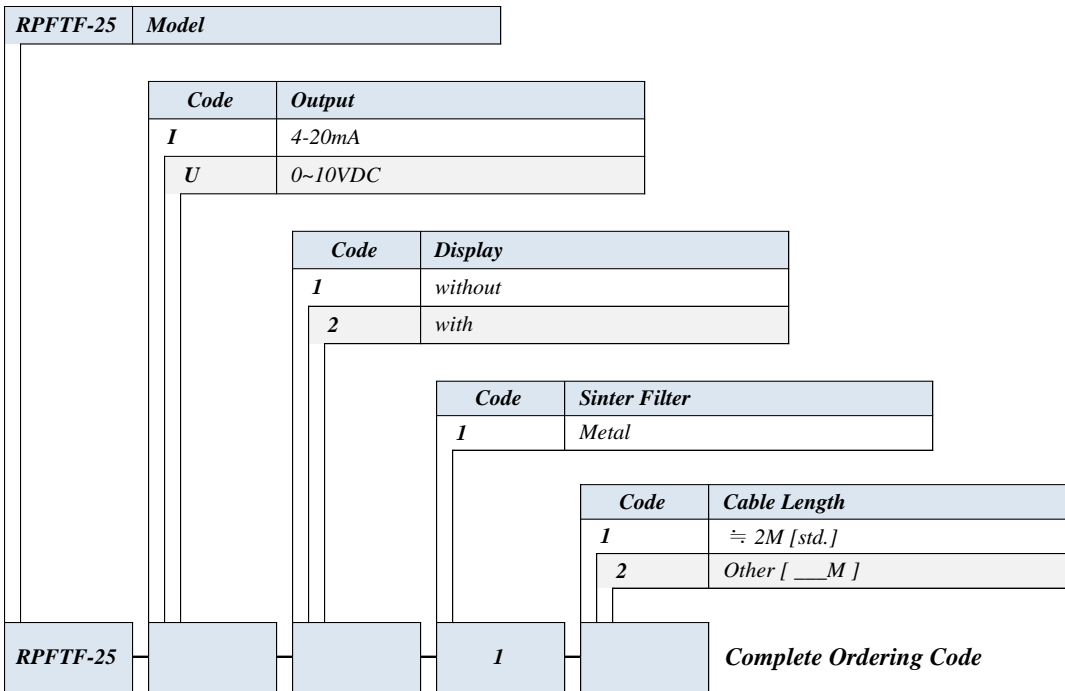
0-10V 4-wire



- 1 +UB 24V DC
- 2 Output humidity in % r.H. 0-10V
- 3 Output temperature in °C 0-10V
- 4 -UB-GND

CO2 | HUMIDITY | TEMPERATURE | AC | DC | BATTERY | OUTPUT | CONTACT | DISPLAY

Ordering Information



TYPE & IMAGE



| CO2 | HUMIDITY | TEMPERATURE | AC | DC | BATTERY | OUTPUT | CONTACT | DISPLAY