

RPFF-25

Pendulum room humidity sensor

Humidity

PAGE

1 / 3

Approvals



Messtechnik
Made in Germany

RANGE

0~95 %

POWER

15 ... 36
V DC

OUTPUT

4-20mA
0~10V

SPECIFICATION

MODEL	RPFF-25
OUTPUT	DC4-20mA : 2 or 3-wire [3-wire for LCD backlight] 0-10V : 3-wire
POWER	15 to 36V DC
MEASURING RANGE	0 to 100% r.H.
OPERATING RANGE	0 to 95% r.H. [without formation of dew]
DEVIATION	typically $\pm 1.8\%$ r.H. [10...90% r.H.] at +25 °C, otherwise $\pm 2\%$ r.H.
TEMPERATURE LIMIT	-30 ... +70 °C, non-precipitating
SENSOR PROTECTION	pluggable measuring head [probe] with metal sinter filter, Φ 16mm, L=88.5mm
PROTECTIVE TUBE	stainless steel, Φ =18mm [16mm], L=120mm
CABLE CONNECTION	approx.2m
CABLE GLAND	M16x1.5, max. inner diameter 10.4mm
PROTECTION TYPE	IP65 [according to EN 60529]
ELECTRICAL CONNECTION	2-, or 3-wire connection 0.14 - 1.5 mm ² , via terminal screws on circuit board



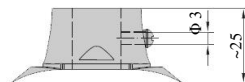
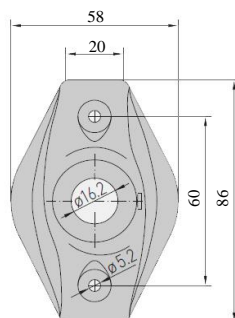
with display



without display

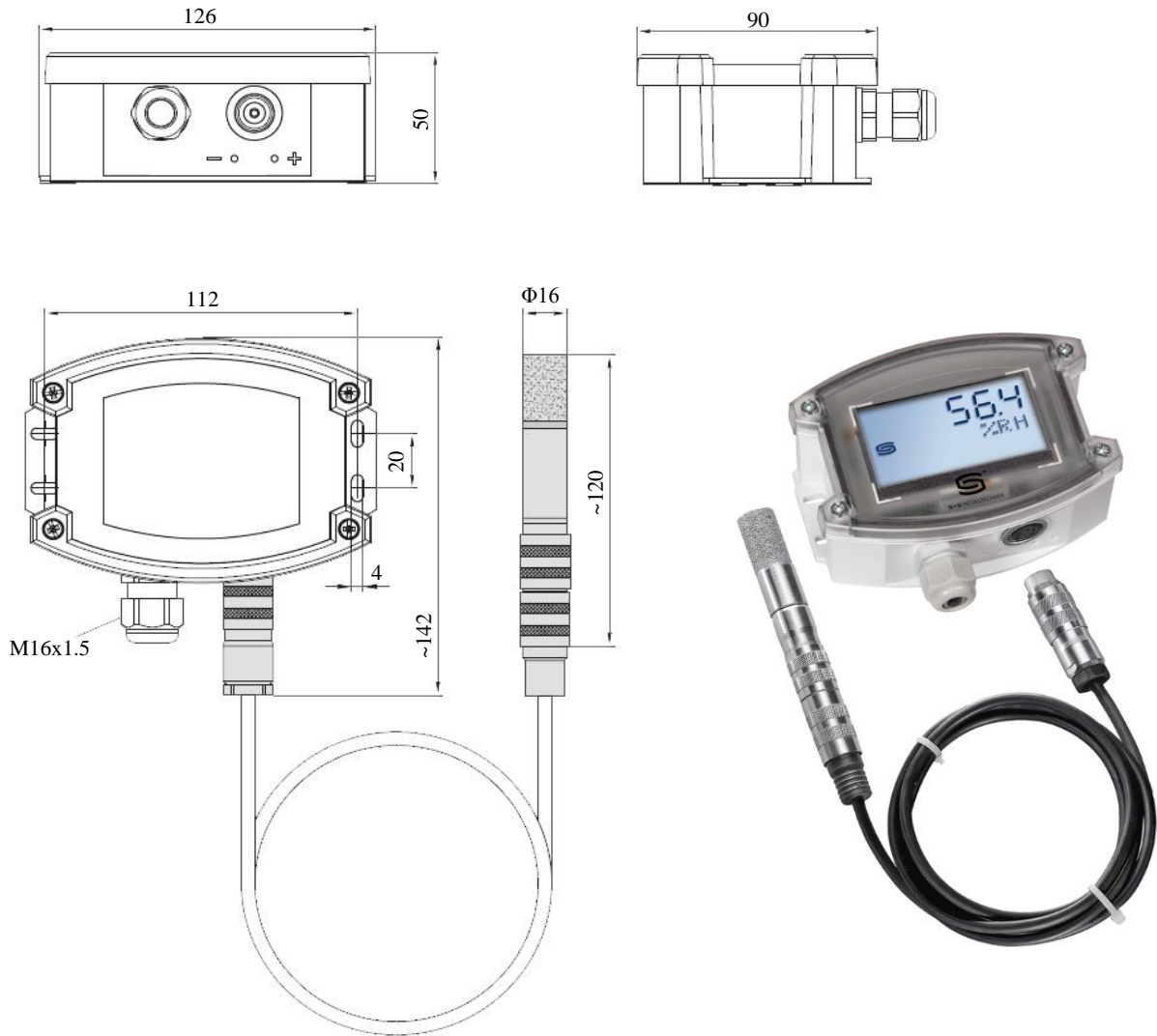
Mounting Flange [Plastic]

MF-16-K



DIMENSION (mm)

※ 제품의 사양에 따라 변경 될 수 있습니다



DIAGRAM

4-20mA 2 or 3-wire

1	+UB 24V DC
2	Output humidity in % r.H. 4-20mA
3	Free
4	-UB-GND [optional for backlighting]

0-10V 3-wire

1	+UB 24V DC
2	Output humidity in % r.H. 0-10V
3	Free
4	-UB-GND

Ordering Information

RPFF-25	Model						
	<table border="1"> <thead> <tr> <th>Code</th> <th>Output</th> </tr> </thead> <tbody> <tr> <td>I</td> <td>4-20mA</td> </tr> <tr> <td>U</td> <td>0~10VDC</td> </tr> </tbody> </table>	Code	Output	I	4-20mA	U	0~10VDC
Code	Output						
I	4-20mA						
U	0~10VDC						
	<table border="1"> <thead> <tr> <th>Code</th> <th>Display</th> </tr> </thead> <tbody> <tr> <td>1</td> <td>without</td> </tr> <tr> <td>2</td> <td>with</td> </tr> </tbody> </table>	Code	Display	1	without	2	with
Code	Display						
1	without						
2	with						
	<table border="1"> <thead> <tr> <th>Code</th> <th>Sinter Filter</th> </tr> </thead> <tbody> <tr> <td>1</td> <td>Metal</td> </tr> </tbody> </table>	Code	Sinter Filter	1	Metal		
Code	Sinter Filter						
1	Metal						
	<table border="1"> <thead> <tr> <th>Code</th> <th>Cable Length</th> </tr> </thead> <tbody> <tr> <td>1</td> <td>≒ 2M [std.]</td> </tr> <tr> <td>2</td> <td>Other [___M]</td> </tr> </tbody> </table>	Code	Cable Length	1	≒ 2M [std.]	2	Other [___M]
Code	Cable Length						
1	≒ 2M [std.]						
2	Other [___M]						
RPFF-25	<table border="1"> <tbody> <tr> <td></td> <td></td> <td></td> <td>1</td> <td></td> <td>Complete Ordering Code</td> </tr> </tbody> </table>				1		Complete Ordering Code
			1		Complete Ordering Code		

TYPE & IMAGE



| CO2 | HUMIDITY | TEMPERATURE | AC | DC | BATTERY | OUTPUT | CONTACT | DISPLAY