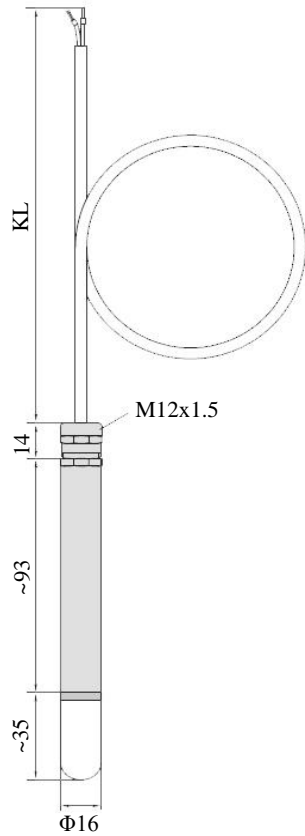




DIMENSION (mm)

※ 제품의 사양에 따라 변경 될 수 있습니다



2-wire connection

	brown	+UB 24V DC
	white	Output humidity in % r.H. 4-20mA

Ordering Information

RPFF-SD	Model						
	<table border="1"> <thead> <tr> <th>Code</th> <th>Output</th> </tr> </thead> <tbody> <tr> <td>I</td> <td>4-20mA</td> </tr> </tbody> </table>	Code	Output	I	4-20mA		
Code	Output						
I	4-20mA						
	<table border="1"> <thead> <tr> <th>Code</th> <th>Sinter Filter</th> </tr> </thead> <tbody> <tr> <td>1</td> <td>Plastic [std.]</td> </tr> <tr> <td>2</td> <td>Metal</td> </tr> </tbody> </table>	Code	Sinter Filter	1	Plastic [std.]	2	Metal
Code	Sinter Filter						
1	Plastic [std.]						
2	Metal						
	<table border="1"> <thead> <tr> <th>Code</th> <th>Cable Length</th> </tr> </thead> <tbody> <tr> <td>1</td> <td>≒ 1.5M [std.]</td> </tr> <tr> <td>2</td> <td>Other [___M]</td> </tr> </tbody> </table>	Code	Cable Length	1	≒ 1.5M [std.]	2	Other [___M]
Code	Cable Length						
1	≒ 1.5M [std.]						
2	Other [___M]						
RPFF-SD	<table border="1"> <tr> <td>I</td> <td></td> <td></td> <td></td> </tr> </table> <p>Complete Ordering Code</p>	I					
I							

| CO2 | HUMIDITY | TEMPERATURE | AC | DC | BATTERY | OUTPUT | CONTACT | DISPLAY |