

HFTM

Cable Temperature Sensor

Approvals



Messtechnik
Made in Germany



with display



without display



IP 65



IP 68

DIP switches
Measuring range changeover



SPECIFICATION

MODEL	HFTM		
OUTPUT	DC4-20mA	: 2 or 3-wire [3-wire for LCD backlight]	
	0-10V	: 3-wire	
POWER	DC4-20mA	: 15 to 36V DC	
	0-10V	: 24V DC	
POWER CONSUMPTION	< 1.0 VA / 24V DC		
DEVIATION	typically $\pm 0.4K$ at $+25^{\circ}C$, otherwise $\pm 0.8K$		
SENSOR	Pt1000, DIN EN 60751, class B		
SENSOR SLEEVE	STS316Ti, 6Φ, NL=50mm [other length available*]		
CONNECTION CABLE	silicone, KL=1.5m [other length available*]		
SENSOR SLEEVE PROTECTION	IP65	: humidity-tight stamped	
	IP68*	: watertight compound-filled, rolled	
INSTALLATION	2x screw $\Phi 4$ mm at a distance of 39mm x 49mm		
ELECTRICAL CONNECTION	0.14 - 1.5mm ² via terminal screws		
CABLE GLAND	M16x1.5, max. inner diameter 10.4mm		
AMBIENT TEMPERATURE	-30 to $70^{\circ}C$		
AIR HUMIDITY	< 95%r.H., non-precipitating air		
PROTECTION TYPE	IP65 [according to EN 60529]		
MEASURING RANGE	8 switchable measuring ranges, see table		

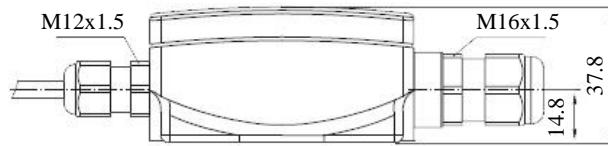
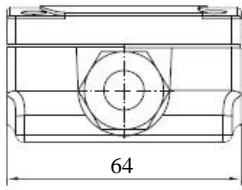
*=Optional

Measuring ranges [Adjustable]	DIP 1	DIP 2	DIP 3
-20 ... +150 °C	ON	ON	ON
-50 ... +50 °C	OFF	ON	ON
-20 ... +80 °C	ON	OFF	ON
-30 ... +60 °C	OFF	OFF	ON
0 ... +40 °C	ON	ON	OFF
0 ... +50 °C	OFF	ON	OFF
0 ... +100 °C	ON	OFF	OFF
0 ... +150 °C	OFF	OFF	OFF

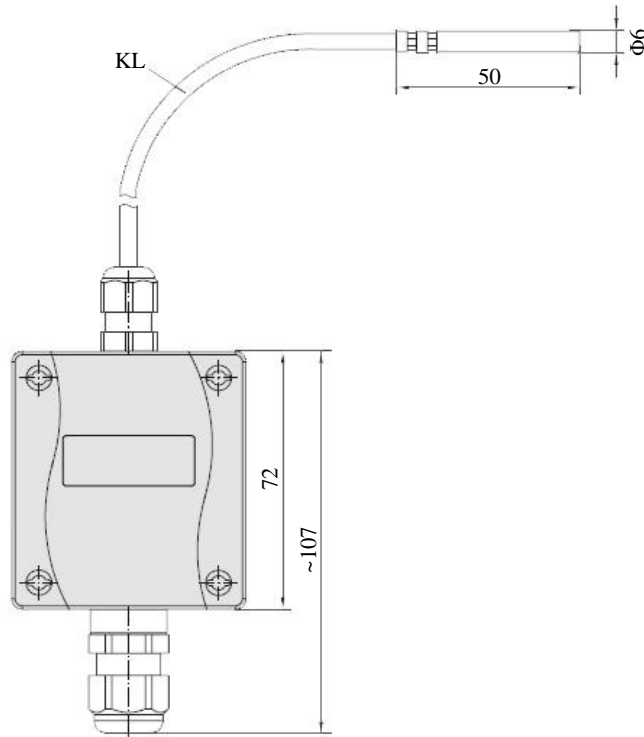
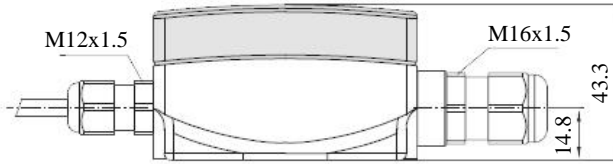
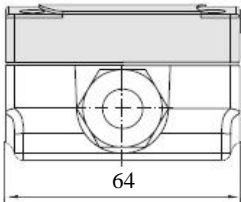
DIMENSION (mm)

※ 제품의 사양에 따라 변경 될 수 있습니다

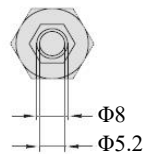
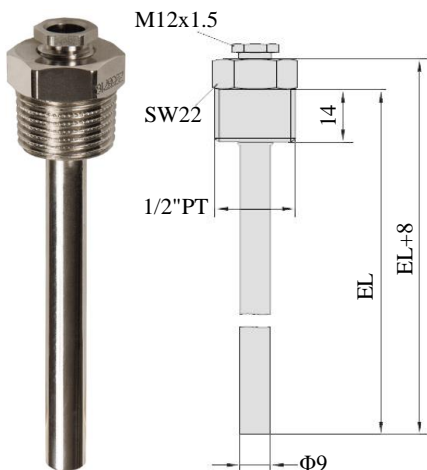
without display



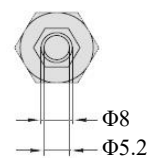
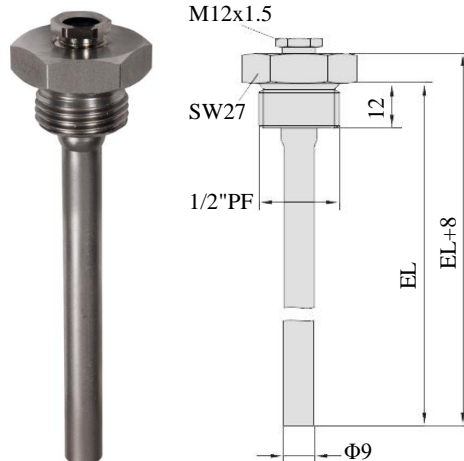
with display



ACCESSORY



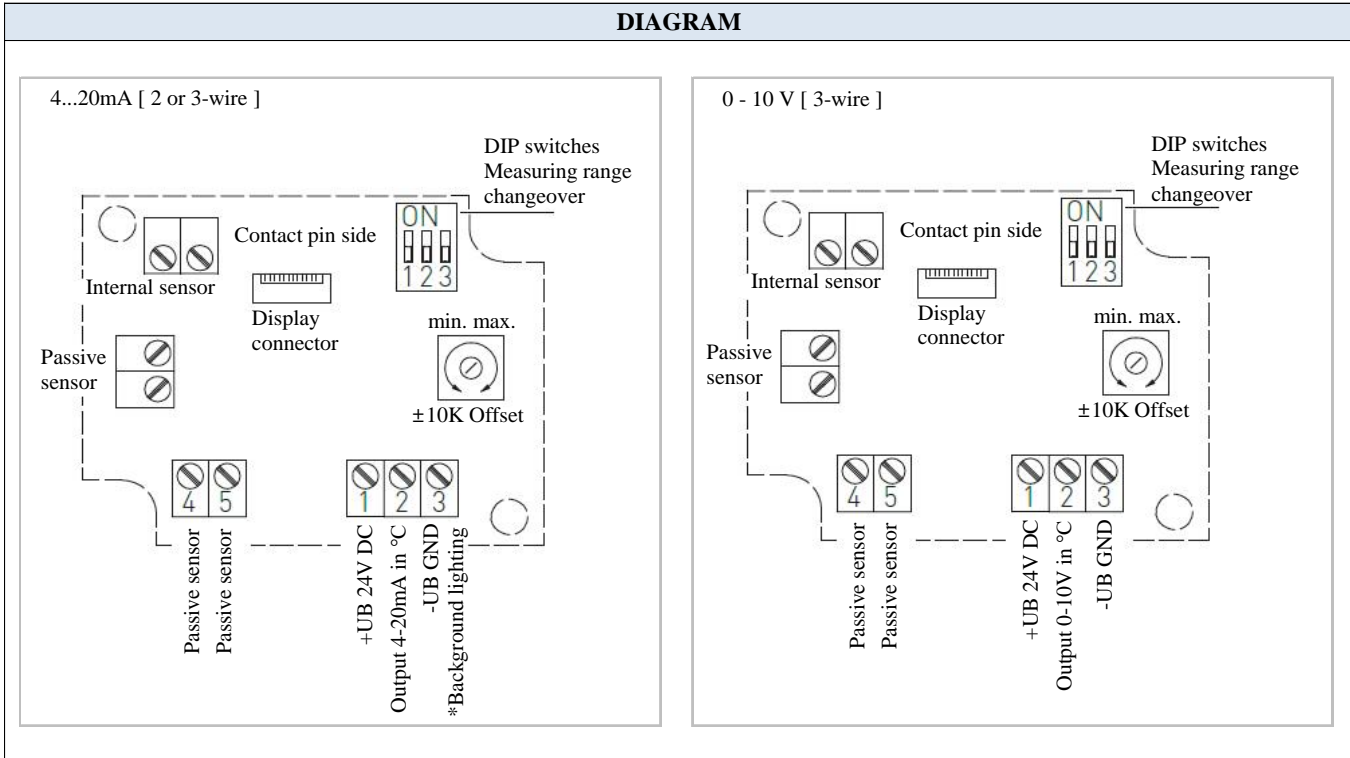
THE-MS
Brass
Max.130°C
Max.16 bar



THE-VA
STS316Ti
Max.450°C
Max.40 bar

| FLOW | | PRESSURE | | TEMPERATURE | | AC | | DC | | BATTERY | | OUTPUT | | CONTACT | | DISPLAY |

DIAGRAM



Ordering Information

HFTM	Model								
	<table border="1"> <thead> <tr> <th>Code</th> <th>Output</th> </tr> </thead> <tbody> <tr> <td>1</td> <td>4-20mA</td> </tr> <tr> <td>2</td> <td>0~10VDC</td> </tr> </tbody> </table>	Code	Output	1	4-20mA	2	0~10VDC		
Code	Output								
1	4-20mA								
2	0~10VDC								
	<table border="1"> <thead> <tr> <th>Code</th> <th>Display</th> </tr> </thead> <tbody> <tr> <td>1</td> <td>without</td> </tr> <tr> <td>2</td> <td>with</td> </tr> </tbody> </table>	Code	Display	1	without	2	with		
Code	Display								
1	without								
2	with								
	<table border="1"> <thead> <tr> <th>Code</th> <th>Sensor Sleeve</th> </tr> </thead> <tbody> <tr> <td>1</td> <td>IP65</td> </tr> <tr> <td>2</td> <td>IP68 [std.]</td> </tr> </tbody> </table>	Code	Sensor Sleeve	1	IP65	2	IP68 [std.]		
Code	Sensor Sleeve								
1	IP65								
2	IP68 [std.]								
	<table border="1"> <thead> <tr> <th>Code</th> <th>Accessory</th> </tr> </thead> <tbody> <tr> <td>1</td> <td>without [std.]</td> </tr> <tr> <td>2</td> <td>THE-MS</td> </tr> <tr> <td>3</td> <td>THE-VA</td> </tr> </tbody> </table>	Code	Accessory	1	without [std.]	2	THE-MS	3	THE-VA
Code	Accessory								
1	without [std.]								
2	THE-MS								
3	THE-VA								
	<table border="1"> <thead> <tr> <th>Code</th> <th>Cable Length</th> </tr> </thead> <tbody> <tr> <td>1</td> <td>≒ 1.5M [std.]</td> </tr> <tr> <td>2</td> <td>Other [___M]</td> </tr> </tbody> </table>	Code	Cable Length	1	≒ 1.5M [std.]	2	Other [___M]		
Code	Cable Length								
1	≒ 1.5M [std.]								
2	Other [___M]								
HFTM	Complete Ordering Code								

| FLOW | | PRESSURE | | TEMPERATURE | | AC | | DC | | BATTERY | | OUTPUT | | CONTACT | | DISPLAY |