

DS

ACRYLIC PLASTIC FLOW METER

Approvals:



SIZE	OPTION	FLUID
1/4 inch 3/8 inch	Alarm Switch	Air Water

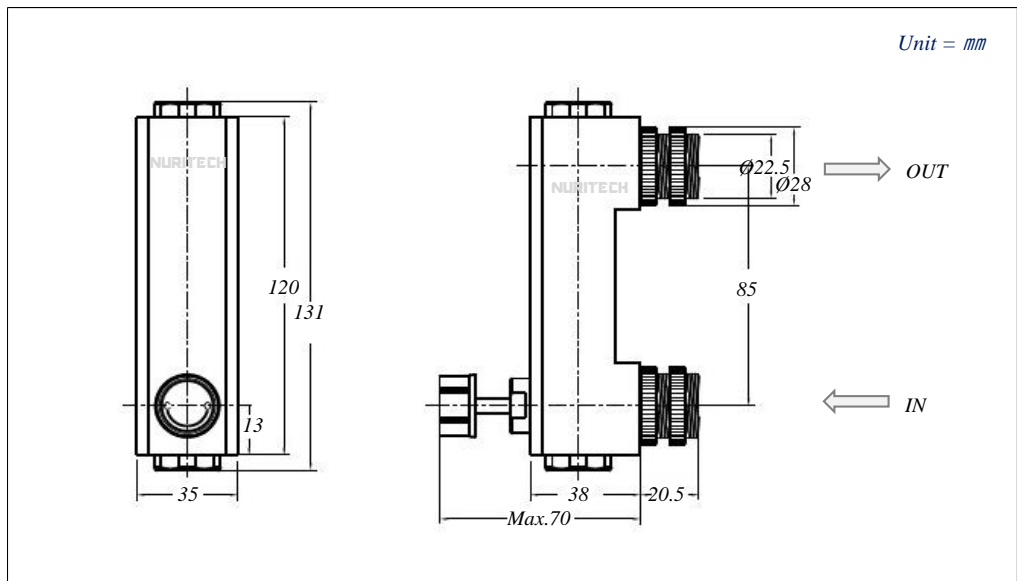
SPECIFICATION

MODEL	DS
APPLICATION	Air, Water
CONNECTION SIZE	1/4", 3/8"PT Female Thread
ACCURACY	< 5% F.S.
MATERIAL	Body : Acrylic Plastic Float & Guide rod : SS304 Valve & Connection : SS304 O-Ring : FKM
MAX. PRESSURE	10 Bar (@38°C)
FLUID TEMPERATURE	-24...+54°C
FLOW DIRECTION	Bottom Rear to Top Rear
OPTION	1 Alarm Switch (N.O. / Up On or Down On) (AC125V 0.5A / DC100V 10W / max. DC250V < 40mA)



FLOW RANGE & DIMENSION

Air	Flow Range(L/min)
	8 ~ 80
	10 ~ 100
Water	Flow Range(L/min)
	0.35 ~ 3
	0.4 ~ 4
	0.5 ~ 5
	0.8 ~ 8



| FLOW | | PRESSURE | | TEMPERATURE | | AC | | DC | | BATTERY | | OUTPUT | | CONTACT | | DISPLAY |

ORDERING INFORMATION

DS	Model					
DS	Code	Needle Valve				
	1	<i>With</i>				
	2	<i>Without</i>				
	Code	Flow Range (Water)	Code	Flow Range (Air)		
	A2(5)	0.35 ~ 3 LPM	B(9)	8 ~ 80 LPM		
	A2(6)	0.4 ~ 4 LPM	B(10)	10 ~ 100 LPM		
	A2(7)	0.5 ~ 5 LPM	B(11)	25 ~ 250 LPM		
	A2(8)	0.8 ~ 8 LPM				
	Code	Alarm Switch				
	IR	<i>With (Choose between Up On and Down On)</i>				
O	<i>Without Alarm Switch</i>					
Code	Process Connection					
C	3/8" PT Female Thread					
D	1/4" PT Female Thread					
Code	Flow Direction					
BT	<i>Bottom Rear to Top Rear</i>					
DS						Complete Ordering Code

| FLOW | | PRESSURE | | TEMPERATURE | | AC | | DC | | BATTERY | | OUTPUT | | CONTACT | | DISPLAY |