

# AFTM-CO2

On-wall CO2, Humidity, Temperature sensor

## RANGE

0~5000 ppm  
0~95 %  
-10~60 °C

## POWER

24  
V DC

## OUTPUT

4-20mA  
0~10V

Approvals



Messtechnik  
Made in Germany

## SPECIFICATION

<b>MODEL</b>	AFTM-CO2
<b>OUTPUT</b>	DC4-20mA & 0-10V [ selectable DIP switch ] 1 x potential-free changeover contact, 1A, 24V
<b>POWER</b>	24V DC Peak current 200mA
<b>POWER CONSUMPTION</b>	< 4.8 W / 24V DC typical
<b>MEASURING RANGE</b>	CO2 : 0 to 2000 ppm / 0 to 5000 ppm [ selectable DIP switch ] Humidity : 0 to 100% r.H. Temperature : -35 to 80 °C
<b>OPERATING RANGE</b>	CO2 : 0 to 5000 ppm Humidity : 0 to 95% r.H. [ without dew formation ] Temperature : -10 to 60 °C
<b>DEVIATION</b>	CO2 : typically $\pm 30$ ppm $\pm 3\%$ of measured value Humidity : typically $\pm 3\%$ r.H. [ 20...80% ] at +20 °C, otherwise $\pm 5\%$ r.H. Temperature : typically $\pm 0.4$ K at +25 °C
<b>SENSOR CO2</b>	optical NDIR sensor
<b>GAS EXCHANGE</b>	by diffusion
<b>AMBIENT TEMPERATURE</b>	-10 ... 60 °C, < 95%r.H., non-precipitating
<b>WARM UP TIME</b>	approx. 1 hour
<b>RESPONSE TIME</b>	< 2 min.
<b>INSTALLATION</b>	by screws
<b>CABLE GLAND</b>	M16 x 1.5
<b>ENCLOSURE</b>	Plastic
<b>PROTECTION TYPE</b>	IP65 [ according to EN 60529 ] enclosure only
<b>ELECTRICAL CONNECTION</b>	0.14 - 1.5 mm <sup>2</sup> , via terminal screws



with display

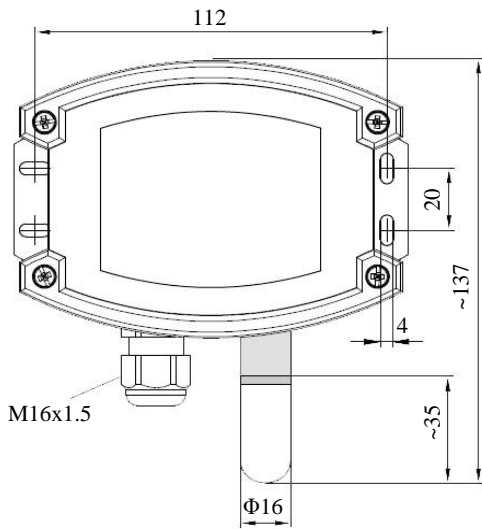
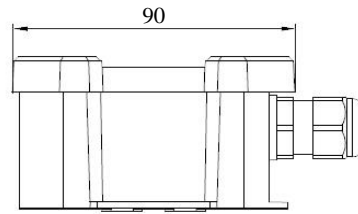
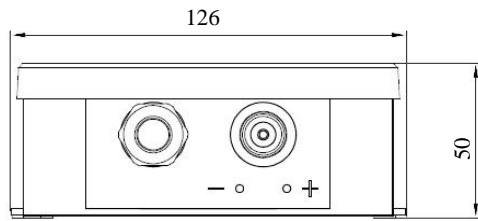


without display

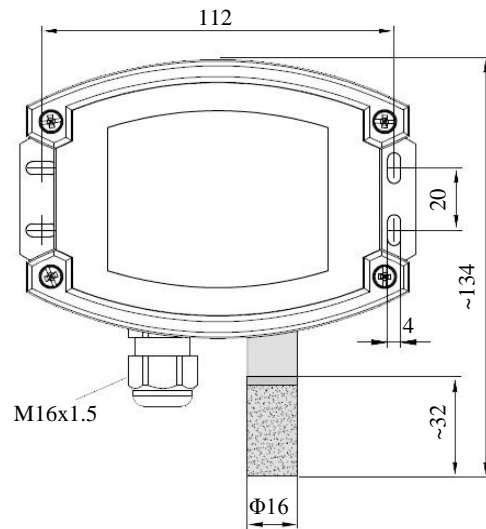
CO2 | HUMIDITY | TEMPERATURE | AC | DC | BATTERY | OUTPUT | CONTACT | DISPLAY

### DIMENSION (mm)

※ 제품의 사양에 따라 변경 될 수 있습니다

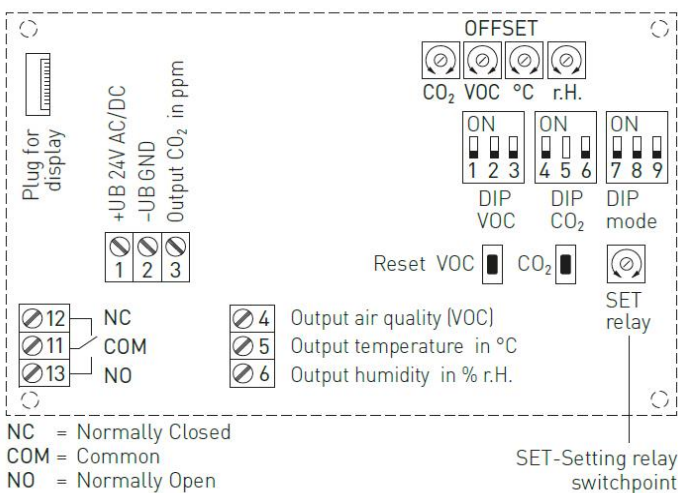


with plastic sinter filter  
[ standard ]



with metal sinter filter  
[ optional ]

### DIAGRAM



CO2 content	DIP 4	
0 ... 2000 ppm	OFF	
0 ... 5000 ppm	ON	
CO2 automatic zero point	DIP 6	
deactivated	OFF	
activated	ON	
Relay assignment	DIP 7	DIP 8
CO2	OFF	OFF
Temperature	OFF	ON
Humidity	ON	ON
Output	DIP 9	
0-10V	OFF	
4-20mA	ON	

CO2 | HUMIDITY | TEMPERATURE | AC | DC | BATTERY | OUTPUT | CONTACT | DISPLAY

## Ordering Information

AFTM-CO2	Model						
	<table border="1"> <thead> <tr> <th>Code</th> <th>Output</th> </tr> </thead> <tbody> <tr> <td>1</td> <td>4-20mA &amp; 0~10VDC &amp; 1C</td> </tr> </tbody> </table>	Code	Output	1	4-20mA & 0~10VDC & 1C		
Code	Output						
1	4-20mA & 0~10VDC & 1C						
	<table border="1"> <thead> <tr> <th>Code</th> <th>Display</th> </tr> </thead> <tbody> <tr> <td>1</td> <td>Without</td> </tr> <tr> <td>2</td> <td>With</td> </tr> </tbody> </table>	Code	Display	1	Without	2	With
Code	Display						
1	Without						
2	With						
	<table border="1"> <thead> <tr> <th>Code</th> <th>Sinter Filter</th> </tr> </thead> <tbody> <tr> <td>1</td> <td>Plastic [std.]</td> </tr> <tr> <td>2</td> <td>Metal</td> </tr> </tbody> </table>	Code	Sinter Filter	1	Plastic [std.]	2	Metal
Code	Sinter Filter						
1	Plastic [std.]						
2	Metal						
AFTM-CO2	<table border="1"> <tbody> <tr> <td>1</td> <td></td> <td></td> <td></td> </tr> </tbody> </table> <p><b>Complete Ordering Code</b></p>	1					
1							

## TYPE & IMAGE

 <p>AFTM-CO2-1-1-1</p>	 <p>AFTM-CO2-1-2-1</p>	 <p>metal sinter filter [ Optional ]</p>
--	---	---

CO2 | HUMIDITY | TEMPERATURE | AC | DC | BATTERY | OUTPUT | CONTACT | DISPLAY