

RFTM-CO2

Room humidity, temperature, CO2 sensor

RANGE

0~5000 ppm
0~95 %
0~50 °C

POWER

24
V DC

OUTPUT

4-20mA
0~10V



with display



without display

SPECIFICATION

MODEL	RFTM-CO2
OUTPUT	DC4-20mA & 0-10V [selectable DIP switch] 1 x potential-free changeover contact, 1A, 24V
POWER	24V DC Peak current 200mA
POWER CONSUMPTION	< 4.4W / 24V DC typical
MEASURING RANGE	Humidity : 0 to 100% r.H. Temperature : 0 to 50 °C CO2 : 0 to 2000 ppm / 0 to 5000 ppm [selectable DIP switch]
OPERATING RANGE	Humidity : 0 to 95% r.H. [without dew formation] Temperature : 0 to 50 °C CO2 : 0 to 5000 ppm
SENSOR CO2	optical NDIR sensor with automatic calibration
DEVIATION	Humidity : ±3% r.H. [20...80%] at +20°C, otherwise ±5% r.H. Temperature : ±0.8K at +25°C CO2 : ±30 ppm ±3% of measured value
GAS EXCHANGE	by diffusion
AMBIENT TEMPERATURE	0 ... 50°C, non-precipitating
WARM UP TIME	approx. 1 hour
RESPONSE TIME	< 2 min.
INSTALLATION	4-hole for wall mounting Flush box recommended
ENCLOSURE	ABS plastic
PROTECTION TYPE	IP30 [according to EN 60529]
ELECTRICAL CONNECTION	0.14 - 1.5 mm ² , via terminal screws on circuit board

Approvals



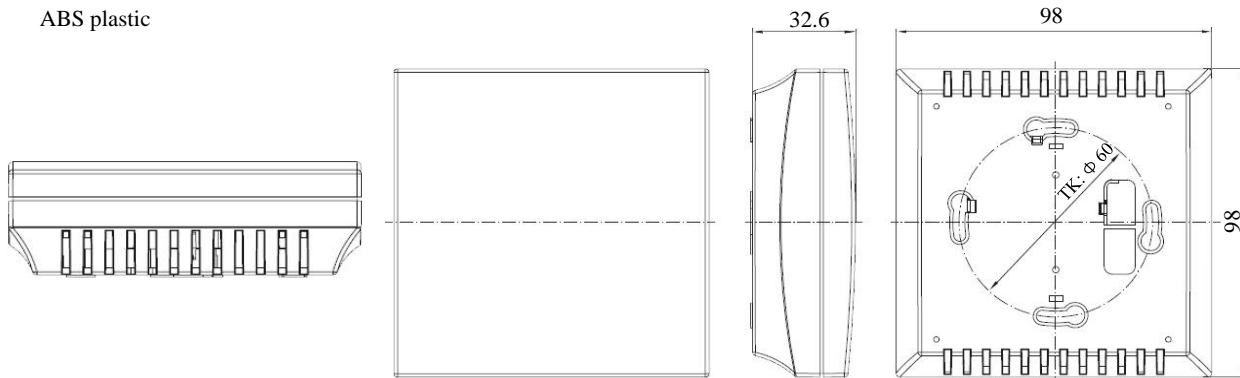
Messtechnik
Made in Germany

ORDERING INFORMATION

RFTM-CO2	-	Output	-	Display
		1. 4-20mA & 0-10VDC & 1C		1. without 2. with*
*-=Optional				

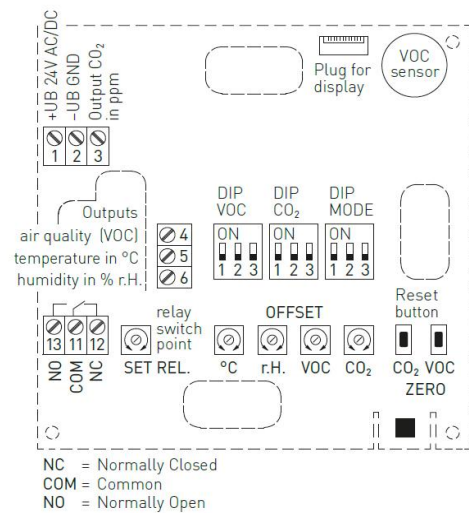
DIMENSION (mm)

ABS plastic



DIP SWITCHES

CO2 content		DIP 4
0 ... 2000 ppm		OFF
0 ... 5000 ppm		ON
CO2 automatic zero point		DIP 6
deactivated		OFF
activated		ON
Relay assignment		DIP 7 DIP 8
CO2	OFF	OFF
Temperature	OFF	ON
Humidity	ON	ON
Output		DIP 9
0-10V		OFF
4-20mA		ON



| CO2 | | HUMIDITY | | TEMPERATURE | | AC | | DC | | BATTERY | | OUTPUT | | CONTACT | | DISPLAY |