

Rco2

Room CO2 sensor

RANGE

0~2000
... 5000 ppm

POWER

24
V DC

OUTPUT

4-20mA
0~10V

SPECIFICATION

MODEL	RCO2
OUTPUT	DC4-20mA & 0-10V [selectable DIP switch] 1 x potential-free changeover contact, 1A, 24V
POWER	24V DC Peak current 200mA
POWER CONSUMPTION	< 1.5W / 24V DC typical
MEASURING RANGE	0 to 2000 ppm / 0 to 5000 ppm [selectable DIP switch]
SENSOR CO2	optical NDIR sensor with automatic calibration
DEVIATION	: ± 30 ppm $\pm 3\%$ of measured value
GAS EXCHANGE	by diffusion
AMBIENT TEMPERATURE	0 ... 50°C, non-precipitating
WARM UP TIME	approx. 1 hour
RESPONSE TIME	< 2 min.
INSTALLATION	4-hole for wall mounting Flush box recommended
ENCLOSURE	ABS plastic
PROTECTION TYPE	IP30 [according to EN 60529]
ELECTRICAL CONNECTION	0.14 - 1.5 mm ² , via terminal screws on circuit board

DIP SWITCHES

CO2 content	DIP 4
0 ... 2000 ppm	OFF
0 ... 5000 ppm	ON
CO2 automatic zero point	DIP 6
deactivated	OFF
activated	ON
Output	DIP 9
0-10V	OFF
4-20mA	ON



with display



without display

Approvals

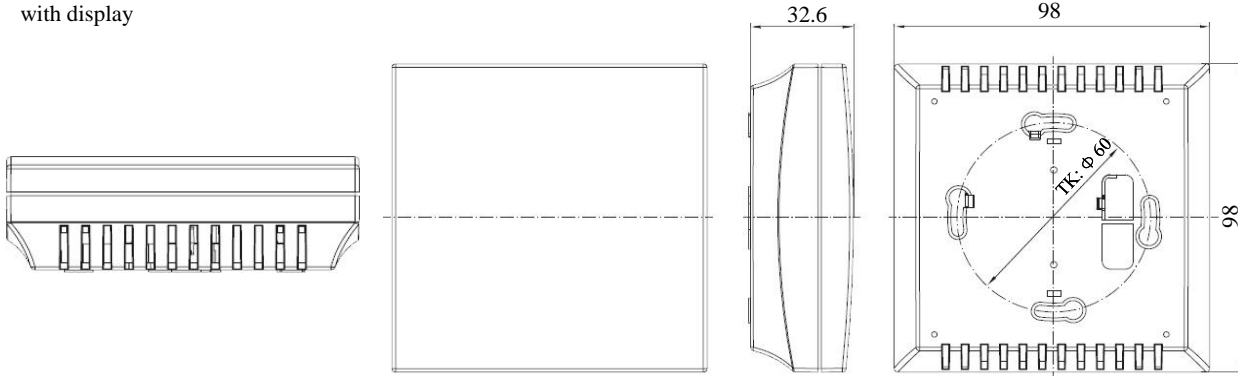


Messtechnik
Made in Germany

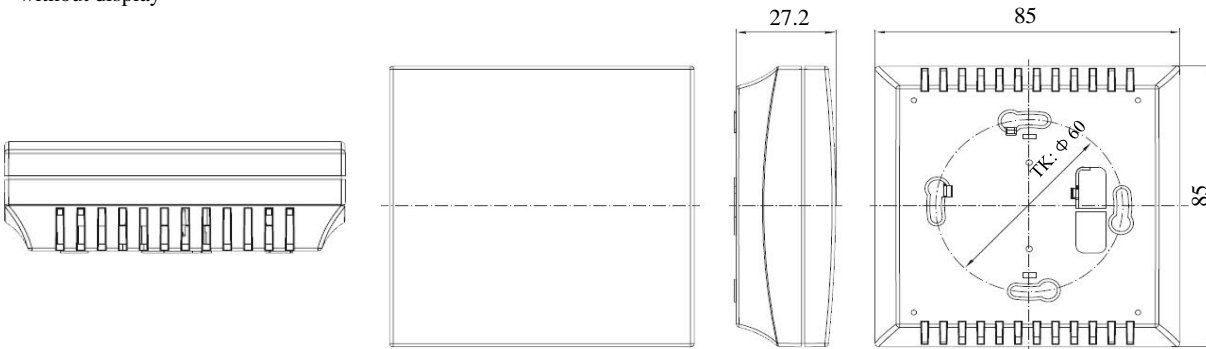
| CO2 | | HUMIDITY | | TEMPERATURE | | AC | | DC | | BATTERY | | OUTPUT | | CONTACT | | DISPLAY |

DIMENSION (mm)

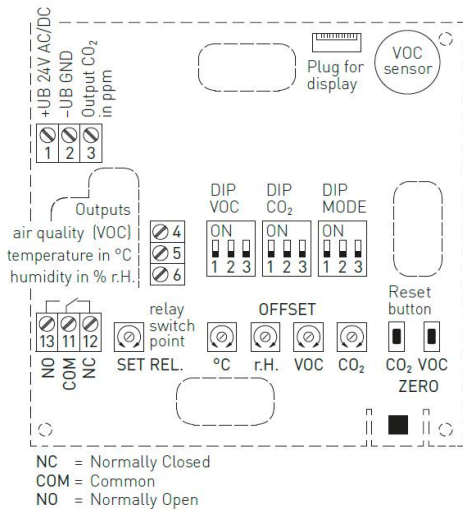
with display



without display



DIAGRAM



ORDERING INFORMATION

RCO2	Output	Display
	1. 4-20mA & 0-10VDC & 1C	1. without
		2. with*

*=Optional

CO2 | HUMIDITY | TEMPERATURE | AC | DC | BATTERY | OUTPUT | CONTACT | DISPLAY