

# RFTF

Room humidity and temperature sensor

RANGE

0~95 %  
0~50 °C

POWER

15 ... 36  
V DC

OUTPUT

4-20mA  
0~10V



with display

Approvals



Messtechnik  
Made in Germany

## SPECIFICATION

<b>MODEL</b>	RFTF
<b>OUTPUT</b>	DC4-20mA 0-10V
<b>POWER</b>	15 to 36V DC
<b>MEASURING RANGE</b>	Humidity : 0 to 100% r.H. Temperature : 0 to 50 °C
<b>OPERATING RANGE</b>	Humidity : 0 to 95% r.H. [ non-precipitating air ] Temperature : 0 to 50 °C
<b>DEVIATION</b>	Humidity : ±3% r.H. [ 20...80% ] at +20°C, otherwise ±5% r.H. Temperature : ±0.8K at +20°C
<b>AMBIENT TEMPERATURE</b>	0 ... 50°C, non-precipitating
<b>INSTALLATION</b>	4-hole for wall mounting Flush box recommended
<b>ENCLOSURE</b>	ABS plastic stainless steel*
<b>PROTECTION TYPE</b>	IP30 [ according to EN 60529 ]
<b>ELECTRICAL CONNECTION</b>	3-, or 4-wire connection 0.14 - 1.5 mm <sup>2</sup> , via terminal screws on circuit board

\*=Optional



without display



stainless steel

## ORDERING INFORMATION

RFTF	- Output	- Display	- Enclosure
	1. 4-20mA	1. without	1. ABS plastic
*=Optional	2. 0~10VDC	2. with*	2. STS*

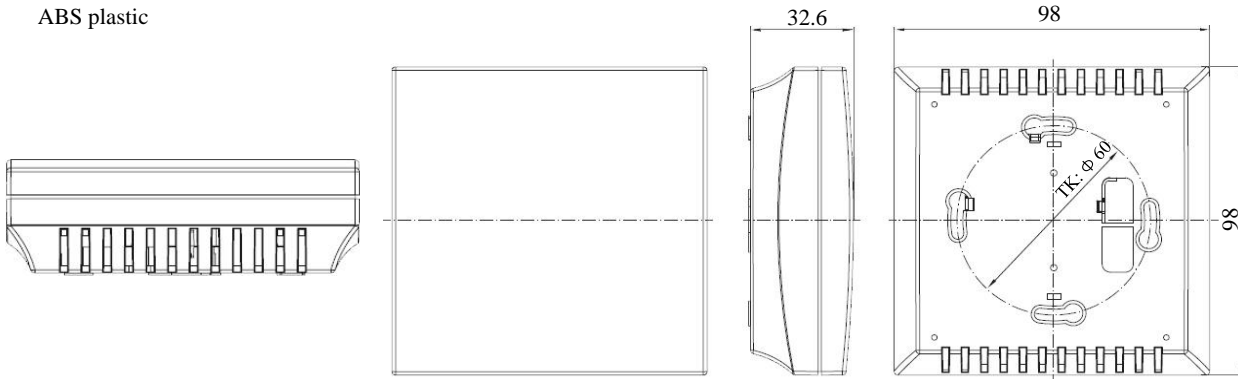


The two-line display readout switches between the ACTUAL humidity reading in % r.H. and the ACTUAL temperature reading in °C.

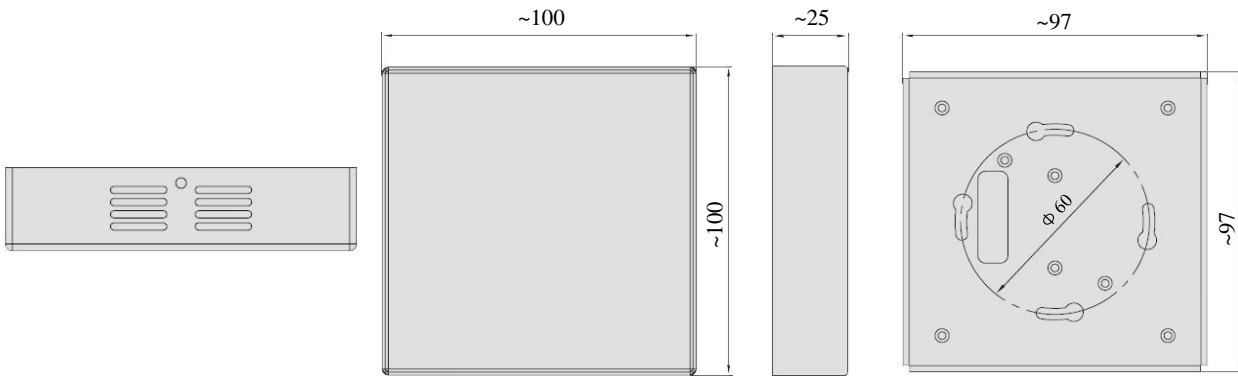
| CO2 | HUMIDITY | TEMPERATURE | AC | DC | BATTERY | OUTPUT | CONTACT | DISPLAY |

### DIMENSION (mm)

ABS plastic

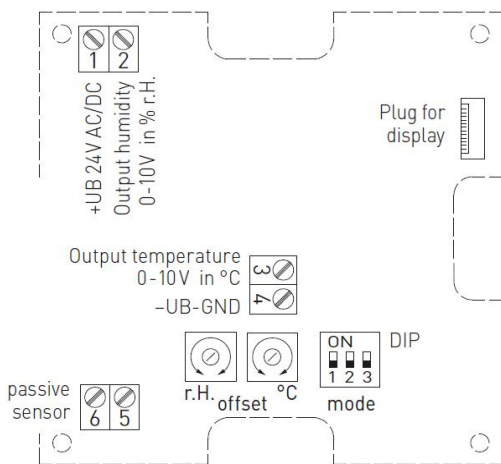


stainless steel



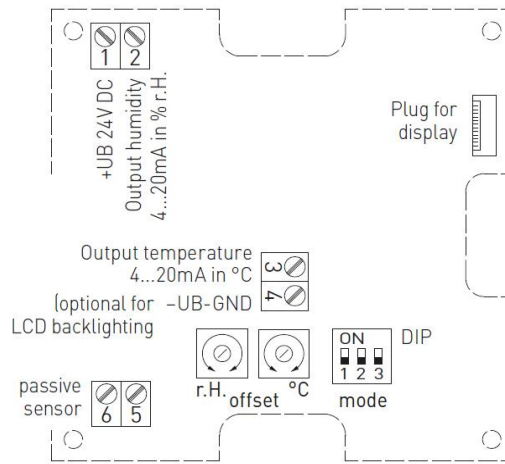
### DIAGRAM

0-10V 4-wire



- 1 +UB 24V DC
- 2 Output humidity in % r.H. 0-10V
- 3 Output temperature in °C 0-10V
- 4 -UB-GND

4-20mA 3 or 4-wire



- 1 +UB 24V DC
- 2 Output humidity in % r.H. 4-20mA
- 3 Output temperature in °C 4-20mA
- 4 -UB-GND [ optional for backlighting ]

| CO2 | HUMIDITY | TEMPERATURE | AC | DC | BATTERY | OUTPUT | CONTACT | DISPLAY