

T200AEX

EXPLOSION PROOF TEMPERATURE SENSOR



Approvals



Explosion Proof Type

SPECIFICATION

MODEL	T200AEX : Type A T200AEX-CP : Type B & Type C
RANGE	Type A : -20 ... +200°C 범위 내 제작 가능 Type B : -50 ... +500°C 범위 내 제작 가능 Type C : -200 ... +100°C 범위 내 제작 가능
SENSOR ELEMENT	PT100Ω
ELEMENT NO.	Single (std.) Double*
ACCURACY	Class A
MEASURING WIRING METHOD	3-wire
AMBIENT TEMPERATURE	-20 ~ +60°C
WETTED MATERIAL	Housing : 304SS Wetted Parts : 316SS
PROCESS CONNECTION	PT 1/4", 3/8", 1/2"(std.) 1.5S Tri clamp* VCR 1/4", 1/2"* [1/4"=Fixed 3.2Φ, 1/2"=Fixed 6.4Φ]
CABLE GLAND PORT	1/2"PF Female
STEM OUTDIA.	3.2Φ, 4Φ, 6.4Φ(std.)
PROTECTION	Ex d IIC T6 IP67
STEM LENGTH	Max. 500mm 최소 20mm부터 최대 500mm까지 제작 가능

Teflon Lining Thermowell
Available !! (Optional)
More details, please check "WST/WSF" products

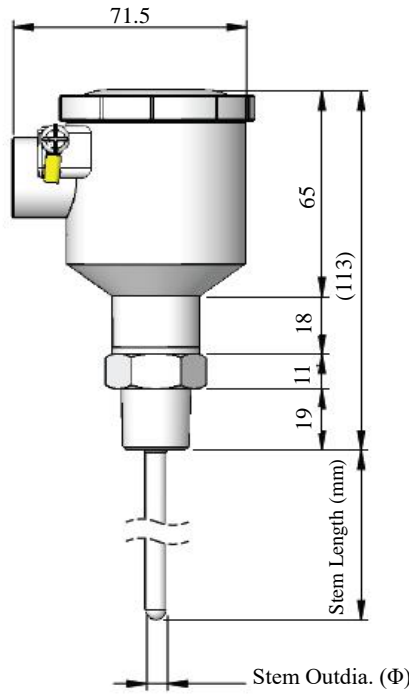
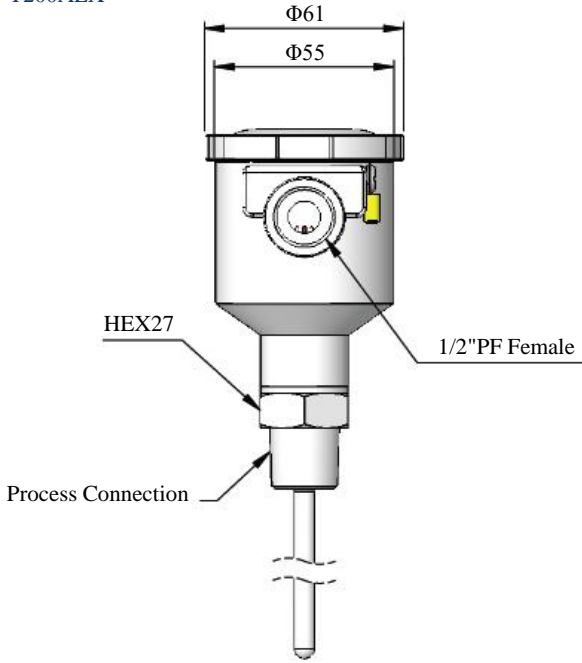


| FLOW | | PRESSURE | | TEMPERATURE | | AC | | DC | | BATTERY | | OUTPUT | | CONTACT | | DISPLAY |

DIMENSION (mm)

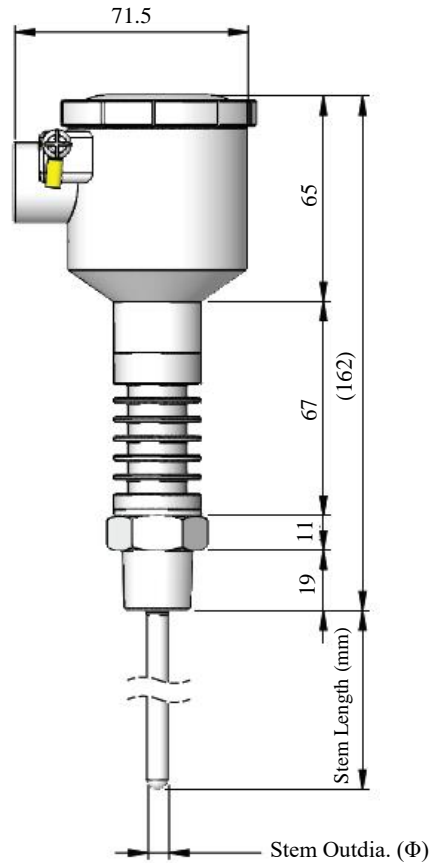
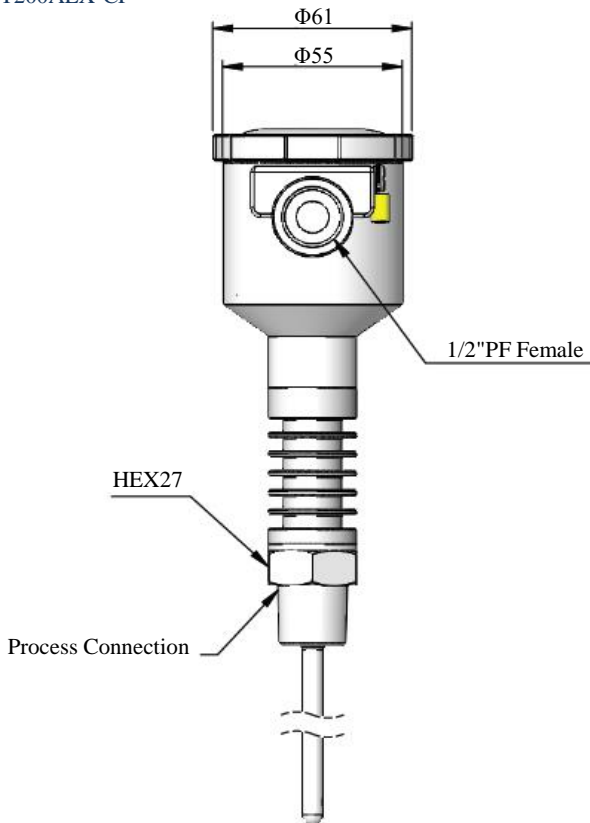
※ 제품의 사양에 따라 변경 될 수 있습니다

T200AEX



Process Connection	
C	L
PT 1/4"	14
PT 3/8"	17
PT 1/2"	19

T200AEX-CP



| FLOW | | PRESSURE | | TEMPERATURE | | AC | | DC | | BATTERY | | OUTPUT | | CONTACT | | DISPLAY |

Ordering Information

Code	Model
T200AEX	T200AEX (Type A)
T200AEX-CP	T200AEX-CP (Type B & C)

Code	Range Type
A	Type A [-20~+200 °C]
B	Type B [-50~+500 °C], T200AEX-CP
C	Type C [-200~+100 °C], T200AEX-CP

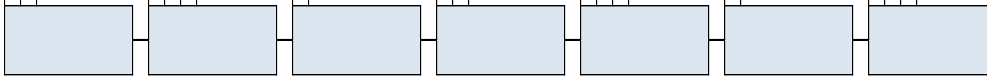
Code	Temperature Range
제작범위	Range Type에 해당되는 제작 요청 온도범위 기재 ex) 0~100°C, 0~400°C, -100~100°C 등

Code	Output
1	PT100 Ω [Single] (std.)
2	PT100 Ω [Double]

Code	Process Connection	Code	Process Connection
1	1/2"PT(std.)	4	1.5S Tri clamp
2	3/8"PT	5	VCR 1/2"
3	1/4"PT	6	VCR 1/4"

Code	Stem length
mm	Min. 20mm ~ Max.500mm 제작 요청 길이 기재

Code	Stem Outdia.
6.4	6.4 Φ (std.)
4	4 Φ
3.2	3.2 Φ



Complete Ordering Code

| FLOW | | PRESSURE | | TEMPERATURE | | AC | | DC | | BATTERY | | OUTPUT | | CONTACT | | DISPLAY |