

# SPD3

## LOCAL DISPLAY PRESSURE TRANSMITTER & SWITCH

## RANGE

0 ~ 0.6 ...  
**250 bar**

## ACCURACY

+/-  
**0.5 %**

## MEDIA

**Liquid  
&  
Gas**

### SPECIFICATION

<b>MODEL</b>	SPD3
<b>ACCURACY</b>	±0.5% F.S.
<b>OUTPUT</b>	3-wire DC4-20mA+Relay contact
<b>RELAY CONTACT OUTPUT</b>	AC250V-2.5A, DC30V-5A
<b>POWER</b>	14 ... 30V DC
<b>DISPLAY</b>	5-Digit LED
<b>PARAMETER SETTING</b>	Touch switches
<b>CABLE LENGTH</b>	≒ 2M
<b>TEMPERATURE LIMIT</b>	Medium : -30 ~ 80 °C Ambient : -10 ~ 60 °C Max. Medium Temperature 150 °C Available*
<b>WETTED PARTS MATERIAL</b>	Pressure port : STS316 Diaphragm : Ceramic Al <sub>2</sub> O <sub>3</sub> -96% Seal : NBR ≤ 10 bar : PVDF > 10 bar
<b>UNIT</b>	bar, kg/cm <sup>2</sup> , MPa, kPa, psi, mmHg, inHg
<b>RESPONSE TIME</b>	50ms [ 10~90% ]
<b>CONNECTION</b>	1/4" PT 3/8", 1/2" PT Available*
<b>FEATURES</b>	Turndown up to 5:1 3 Alarm output type Auto. Change red or green display when alarm status change

\*=Optional

### PRESSURE RANGE

CODE	RANGE	MIN. SPAN
1	-1 ... 2 bar	0.6 bar
2	-1 ... 10 bar	3 bar
3	-1 ... 50 bar	11 bar
4	0 ... 250 bar	50 bar

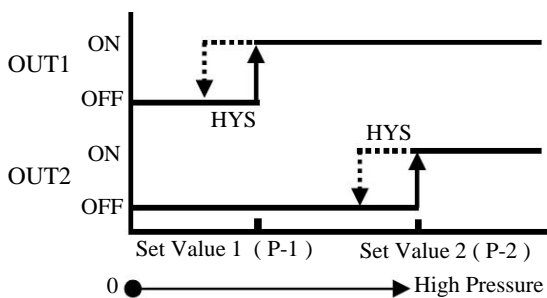


**economic !**

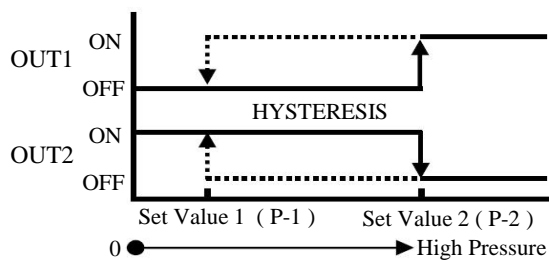
| FLOW | | PRESSURE | | TEMPERATURE | | AC | | DC | | BATTERY | | OUTPUT | | CONTACT | | DISPLAY |

### ALARM OUTPUT TYPE

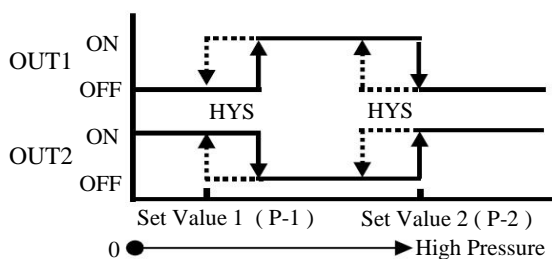
**OUT-T : D ( Dual output mode )**



**OUT-T : H ( Hysteresis mode )**

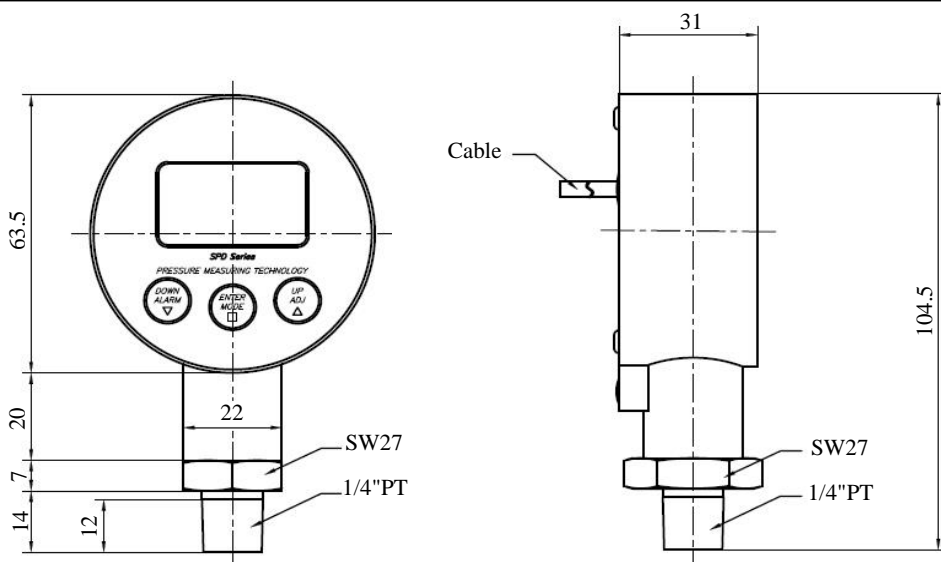


**OUT-T : C ( Window comparator mode )**



※ 프로그램에서 변경 가능

### DIMENSION (mm)



※ 제품의 사양에 따라 변경 될 수 있습니다

| FLOW | | PRESSURE | | TEMPERATURE | | AC | | DC | | BATTERY | | OUTPUT | | CONTACT | | DISPLAY |

### ACCESSORY

#### ADAPTER



316SS  
250bar at 25°C  
1/4"PT [F] x 3/8"PT [M]  
1/4"PT [F] x 1/2"PT [M]

#### DAMPER



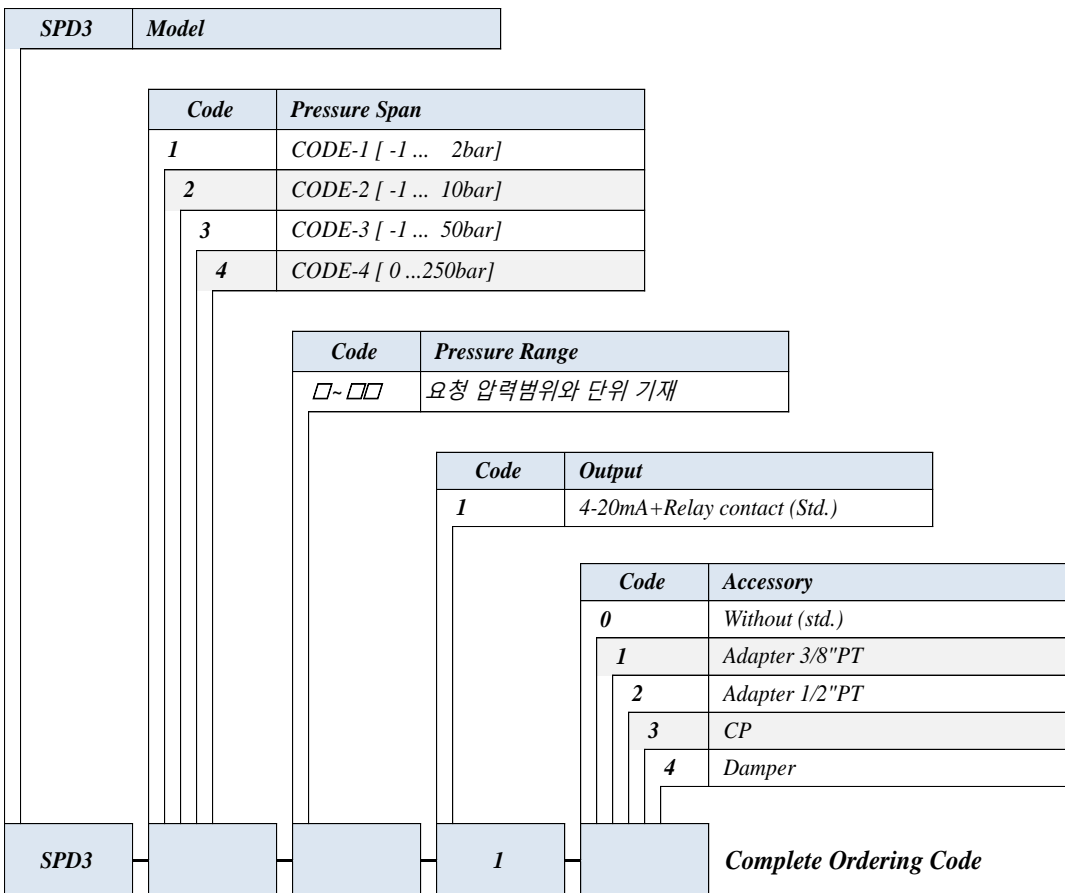
316SS, Viton  
400bar at 60°C  
Max.Temp. 120°C  
1/4"PT [F] x 1/4"PT [M]

#### COOLING ELEMENT



CP  
316SS  
Temperature Limit : -10 ... 150°C  
-1 ... 250bar  
1/4"PT [F] x 1/4"PT [M]

### Ordering Information



| FLOW | | PRESSURE | | TEMPERATURE | | AC | | DC | | BATTERY | | OUTPUT | | CONTACT | | DISPLAY |