

# TST-PM82

## DIGITAL CONTACT GAUGE

## RANGE

0 ~ 0.025 ...  
**250 bar**

## ACCURACY

+ / -  
**0.5 %**

## MEDIA

**Liquid  
&  
Gas**



### SPECIFICATION

<b>MODEL</b>	TST-PM82	
<b>ACCURACY</b>	≤ 0.5% FS@25°C	
<b>ANALOG OUTPUT</b>	0~10V	3-wire
	0-20mA	3-wire
	4-20mA	3-wire
<b>CONTACT OUTPUT</b>	Single	
PNP, max.200 mA, NO/NC ( adjustable )	Double	
<b>POWER</b>	20mA output	: 10...30V DC
	10V output	: 16...30V DC
<b>MATERIAL</b>	Connection	: 316L
	Housing	: 304
	Sensor	: Ceramic AL <sub>2</sub> O <sub>3</sub>
<b>TEMPERATURE LIMIT</b>	Media	: -25 ~ 100 °C
	Ambient	: -25 ~ 80 °C
<b>DISPLAY</b>	3-digit LED	
<b>ELECTRICAL CONNECTION</b>	Connector M12x1, 5-pin	
<b>PRESSURE CONNECTION</b>	1/2" PF 1/2" PT Available*	
<b>RESPONSE TIME</b>	200 ms	*=Optional



Messtechnik  
Made in Germany

Approvals

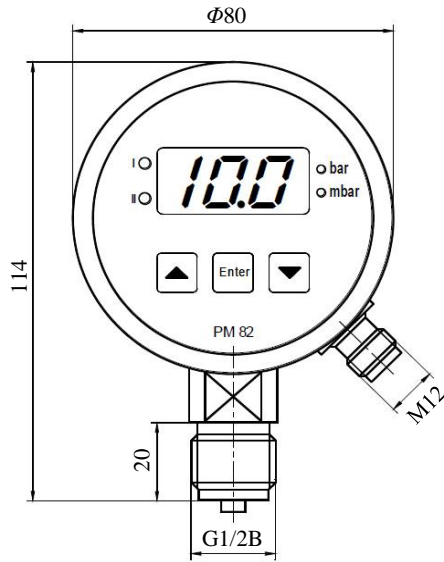


### RANGE TABLE

CODE	RANGE	CODE	RANGE	CODE	RANGE
B7	0 ~ 500 mbar	09	0 ~ 6 bar	15	0 ~ 100 bar
04	0 ~ 600 mbar	10	0 ~ 10 bar	16	0 ~ 160 bar
05	0 ~ 1 bar	11	0 ~ 16 bar	17	0 ~ 250 bar
06	0 ~ 1.6 bar	B5	0 ~ 20 bar	D6	-1 ~ 1 bar
B3	0 ~ 2 bar	12	0 ~ 25 bar	D7	-1 ~ 1.5 bar
07	0 ~ 2.5 bar	13	0 ~ 40 bar	D8	-1 ~ 3 bar
08	0 ~ 4 bar	F3	0 ~ 50 bar	D9	-1 ~ 5 bar
F1	0 ~ 5 bar	14	0 ~ 60 bar	E1	-1 ~ 9 bar

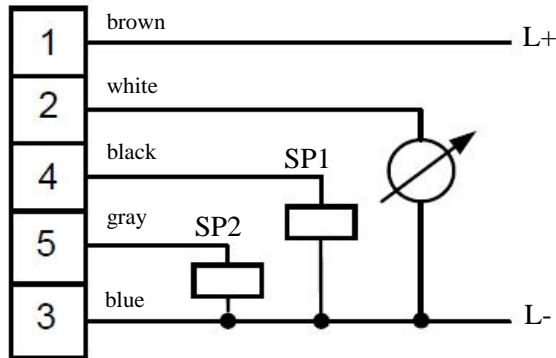
※ Special measuring ranges are available on request

## DIMENSION (mm)

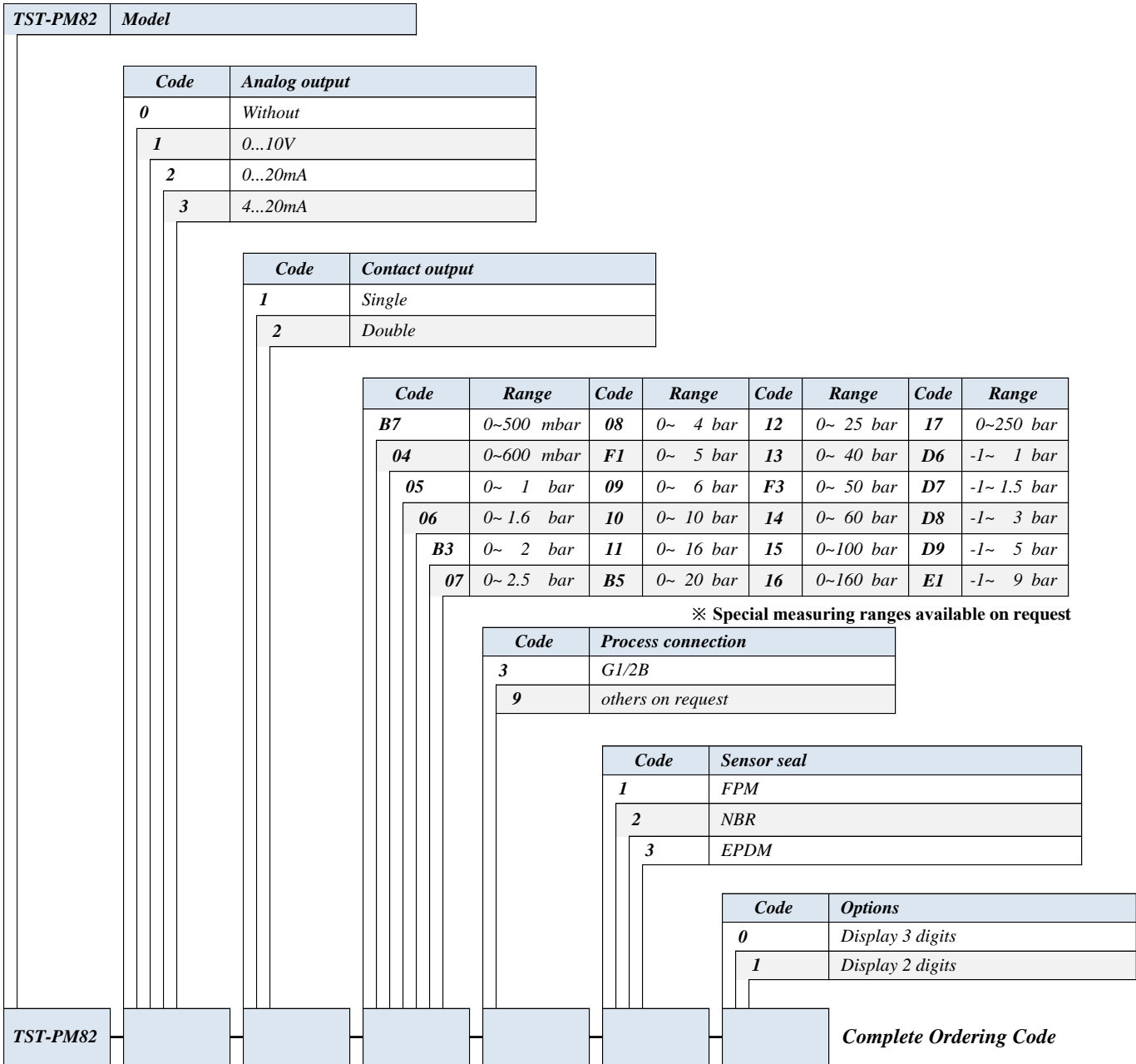


## ELECTRICAL CONNECTION

Connector M12x1 5-pin



### Ordering Information



| FLOW | | PRESSURE | | TEMPERATURE | | AC | | DC | | BATTERY | | OUTPUT | | CONTACT | | DISPLAY |