

TST-PM63

DIGITAL CONTACT GAUGE

RANGE

0 ~ 0.25 ...
250 bar

ACCURACY

+ / -
0.5 %

MEDIA

**Liquid
&
Gas**



SPECIFICATION

MODEL	TST-PM63
ACCURACY	≤ 0.5% FS@25°C
ANALOG OUTPUT	0~10V 3-wire 0-20mA 3-wire 4-20mA 3-wire
CONTACT OUTPUT	PNP, max.200 mA NO/NC (adjustable)
POWER	20mA output : 10...30V DC 10V output : 16...30V DC
MATERIAL	Connection : 316L Housing : 304 Sensor : Ceramic AL ₂ O ₃
TEMPERATURE LIMIT	Media : -25 ~ 100 °C Ambient : -25 ~ 80 °C Max.150 °C Available*
DISPLAY	3-digit LED
ELECTRICAL CONNECTION	Connector M8x1, 4-pin
PRESSURE CONNECTION	1/4" PF 1/4", 3/8", 1/2" PT Available*
RESPONSE TIME	200 ms * =Optional



Messtechnik
Made in Germany

Approvals



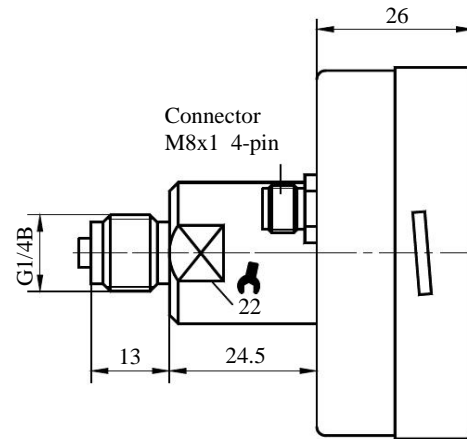
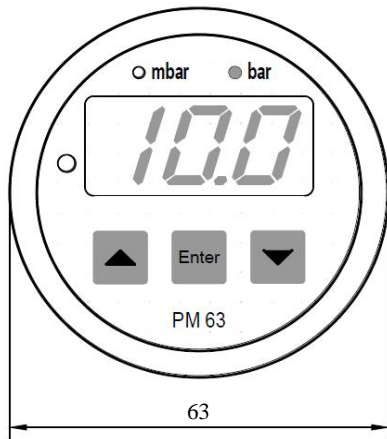
RANGE TABLE

CODE	RANGE	CODE	RANGE	CODE	RANGE	CODE	RANGE
02	0 ~ 250 mbar*	08	0 ~ 4 bar	F3	0 ~ 50 bar	D6	-1 ~ 1 bar
03	0 ~ 400 mbar	F1	0 ~ 5 bar	14	0 ~ 60 bar	D7	-1 ~ 1.5 bar
B7	0 ~ 500 mbar	09	0 ~ 6 bar	15	0 ~ 100 bar	D8	-1 ~ 3 bar
04	0 ~ 600 mbar	10	0 ~ 10 bar	16	0 ~ 160 bar	D9	-1 ~ 5 bar
05	0 ~ 1 bar	11	0 ~ 16 bar	F5	0 ~ 200 bar	E1	-1 ~ 9 bar
06	0 ~ 1.6 bar	B5	0 ~ 20 bar	17	0 ~ 250 bar	E2	-1 ~ 15 bar
B3	0 ~ 2 bar	12	0 ~ 25 bar	D4	-1 ~ 0 bar	E3	-1 ~ 19 bar
07	0 ~ 2.5 bar	13	0 ~ 40 bar	D5	-1 ~ 0.6 bar		

(*) accuracy 1%

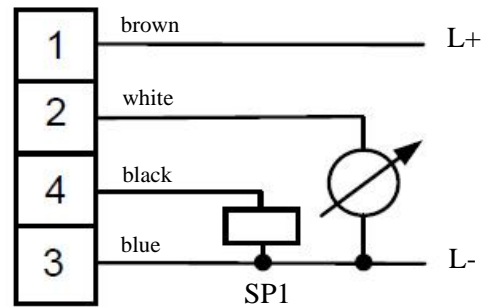
※ Special measuring ranges are available on request

DIMENSION (mm)



ELECTRICAL CONNECTION

Connector M8x1 4-pin



ACCESSORY

ADAPTER



316SS
250bar at 25°C
1/4"PF [F] x 1/4"PT [M]
1/4"PF [F] x 3/8"PT [M]
1/4"PF [F] x 1/2"PT [M]
1/4"PF [F] x 1/4"NPT [M]
1/4"PF [F] x 3/8"NPT [M]
1/4"PF [F] x 1/2"NPT [M]

DAMPER



316SS, Viton
400bar at 60°C
Max.Temp. 120°C
1/4"PT [F] x 1/4"PT [M]

COOLING ELEMENT



CP
316SS
Temperature Limit : max. 150°C
-1 . . . 250bar
1/4"PF [F] x 1/4"PT [M]

Ordering Information

TST-PM63	Model
----------	-------

Code	Analog output
0	Without
1	0...10V
2	0...20mA
3	4...20mA

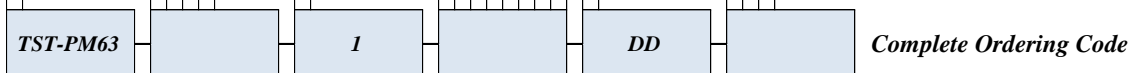
Code	Contact output
1	Contact

Code	Range	Code	Range	Code	Range	Code	Range
02	0~250 mbar	08	0~ 4 bar	F3	0~ 50 bar	D6	-1~ 1 bar
03	0~400 mbar	F1	0~ 5 bar	14	0~ 60 bar	D7	-1~ 1.5 bar
B7	0~500 mbar	09	0~ 6 bar	15	0~100 bar	D8	-1~ 3 bar
04	0~600 mbar	10	0~ 10 bar	16	0~160 bar	D9	-1~ 5 bar
05	0~ 1 bar	11	0~ 16 bar	F5	0~200 bar	E1	-1~ 9 bar
06	0~ 1.6 bar	B5	0~ 20 bar	17	0~250 bar	E2	-1~ 15 bar
B3	0~ 2 bar	12	0~ 25 bar	D4	-1~ 0 bar	E3	-1~ 19 bar
07	0~ 2.5 bar	13	0~ 40 bar	D5	-1~ 0.6 bar		

※ Special measuring ranges available on request

Code	Process connection
DD	G1/4B

Code	Process gasket
1	FKM
2	NBR
3	EPDM



| FLOW | | PRESSURE | | TEMPERATURE | | AC | | DC | | BATTERY | | OUTPUT | | CONTACT | | DISPLAY |