

# RTM 1

ROOM TEMPERATURE TRANSMITTER

RANGE

-30 ...  
**70 °C**

SENSOR

**PT**  
**1000**

OUTPUT

**4-20mA**  
**0~10V**



with display

Approvals



Messtechnik  
Made in Germany

## SPECIFICATION

<b>MODEL</b>	RTM 1
<b>OUTPUT</b>	DC4-20mA : 2 or 3-wire [ 3-wire for LCD backlight ] 0-10V : 3-wire
<b>POWER</b>	DC4-20mA : 15 to 36V DC 0-10V : 24V DC
<b>DEVIATION</b>	±0.4K at +25 °C, otherwise ±0.8K
<b>SENSOR</b>	Pt1000, DIN EN 60751, class B
<b>PROCESS CONNECTION</b>	by screws
<b>ELECTRICAL CONNECTION</b>	terminal screws
<b>INSTALLATION</b>	4-hole for wall mounting Flush box recommended
<b>OPERATING TEMPERATURE</b>	without Display : -30 to 70°C with Display : 0 to 50°C
<b>AIR HUMIDITY</b>	< 95%R.H., non-precipitating air
<b>PROTECTION TYPE</b>	IP30 [ according to EN 60529 ]
<b>ENCLOSURE</b>	ABS plastic stainless steel*
<b>MEASURING RANGE</b>	8 switchable measuring ranges, see table * =Optional



without display



Stainless steel

Measuring ranges [ Adjustable ]	DIP 1	DIP 2	DIP 3
-20 ... +150 °C	ON	ON	ON
-50 ... +50 °C	OFF	ON	ON
-20 ... +80 °C	ON	OFF	ON
-30 ... +60 °C	OFF	OFF	ON
0 ... +40 °C	ON	ON	OFF
0 ... +50 °C	OFF	ON	OFF
0 ... +100 °C	ON	OFF	OFF
0 ... +150 °C	OFF	OFF	OFF

DIP switches  
Measuring range changeover

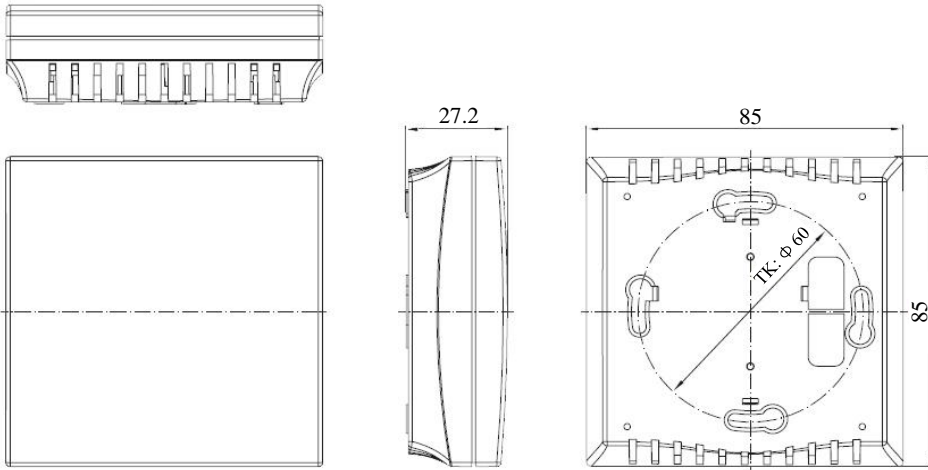


## ORDERING INFORMATION

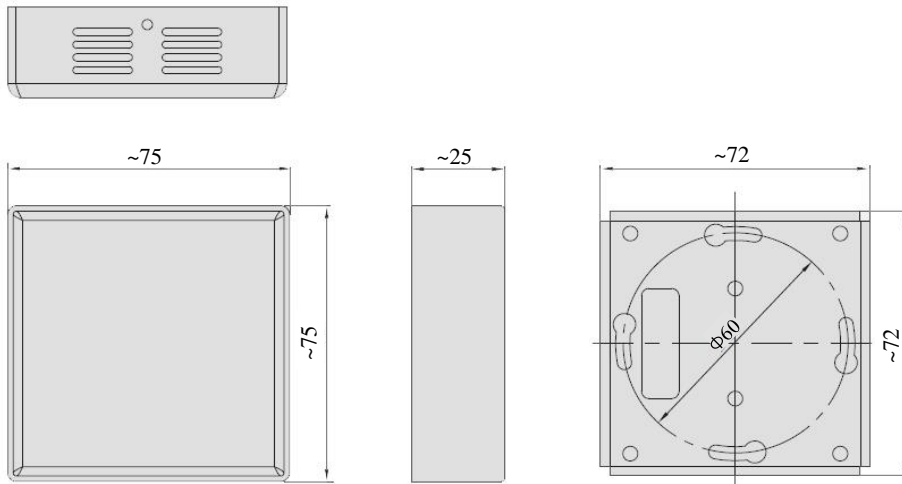
<b>RTM 1</b>	-	<b>Output</b>	-	<b>Display</b>	-	<b>Enclosure</b>
		1. 4-20mA		1. without		1. ABS plastic
*=Optional		2. 0~10VDC		2. with*		2. STS*

### DIMENSION (mm)

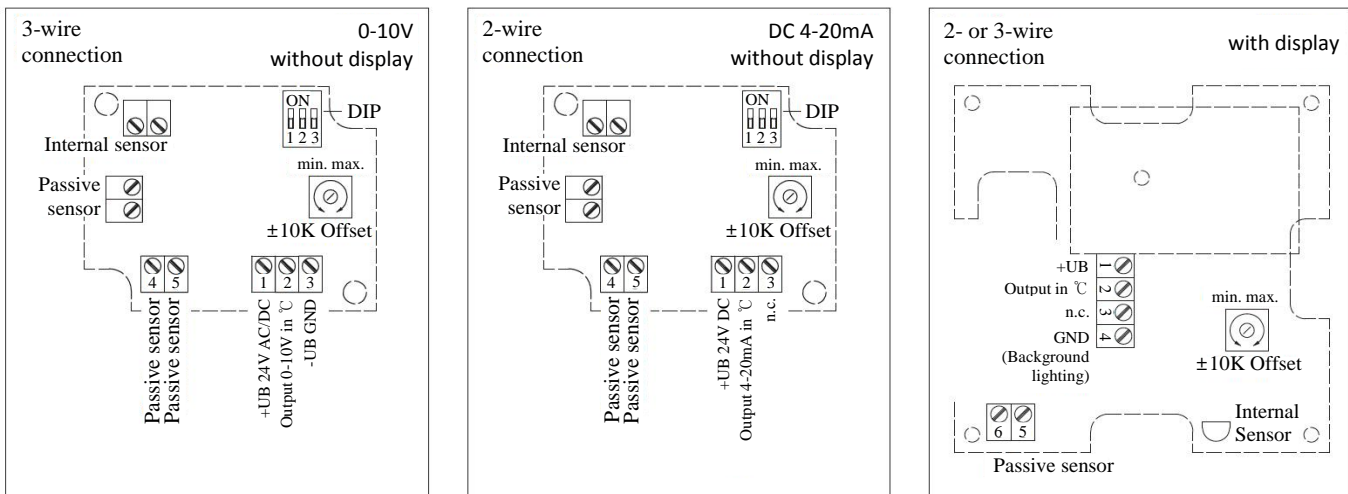
#### ABS HOUSING



#### STS HOUSING



### DIAGRAM



| FLOW |  
 | PRESSURE |  
 | TEMPERATURE |  
 | AC |  
 | DC |  
 | BATTERY |  
 | OUTPUT |  
 | CONTACT |  
 | DISPLAY |