

DISPLAY

Batch
Flow Rate
Totalizer

INPUT

Pulse

OUTPUT

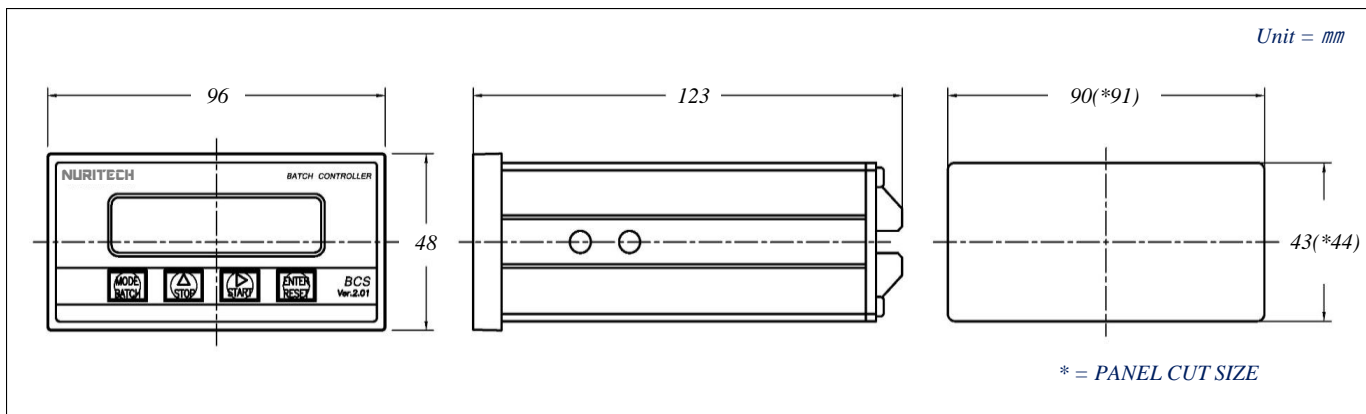
2-Batch Relay
End of Batch



SPECIFICATION

MODEL	BCS
DISPLAY	2 Lines Back-Lighted LCD Batch, Flow Rate & Totalizer
TIME BASE	Unit per Second / Minute / Hour
DISPLAY UPDATE RATE	0.25 Second
INPUT	Pulse
OUTPUT	2-Batch Relay (5A 250VAC) End of Batch Signal
AMBIENT TEMPERATURE	0 ... 60°C
HOUSING MATERIAL	Aluminum
POWER	DC24V
TRANSDUCER SUPPLY	DC12V 50mA

DIMENSION



| FLOW | | PRESSURE | | TEMPERATURE | | AC | | DC | | BATTERY | | OUTPUT | | CONTACT | | DISPLAY |