

Approvals:



SIZE

1/4 inch
3/8 inch

OPTION

Alarm
Switch

FLUID

Air
Water

SPECIFICATION

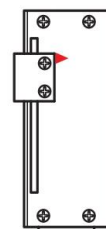
MODEL	MDS
APPLICATION	Air, Water
CONNECTION SIZE	1/4", 3/8"PT Female Thread
ACCURACY	< 5% F.S.
MATERIAL	Body : Polycarbonate (PC) Float & Guide rod : SS316 Valve & Connection : SS316 O-Ring : FKM
MAX. PRESSURE	12 Bar (@25°C)
FLUID TEMPERATURE	-10...+60°C
FLOW DIRECTION	Bottom Rear to Top Rear
OPTION	1 Alarm Switch (N.O. / Up On or Down On) (AC125V 0.5A / DC100V 10W / max. DC250V < 40mA)



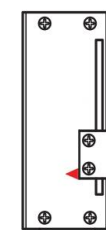
FLOW RANGE & DIMENSION

Flow Range (L/min)	Air	Water
	8 ~ 80	0.2 ~ 2
	10 ~ 100	0.3 ~ 3
	15 ~ 150	0.5 ~ 5
	25 ~ 250	0.8 ~ 8
	40 ~ 400	1 ~ 10

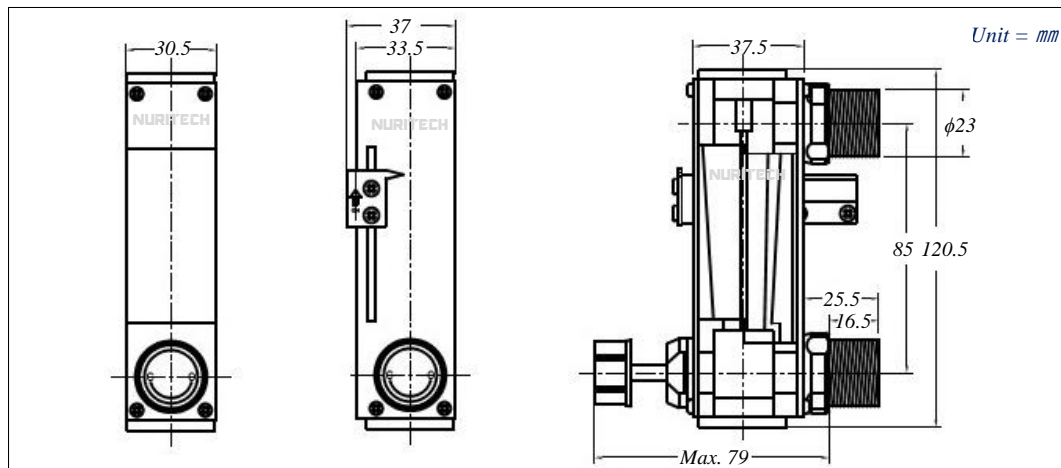
Alarm Switch Position



Left Side
(Up On)



Right Side
(Down On)



| FLOW | | PRESSURE | | TEMPERATURE | | AC | | DC | | BATTERY | | OUTPUT | | CONTACT | | DISPLAY |

ORDERING INFORMATION

MDS	Model									
	Code	Flow Range (Air)	Code	Flow Range (Water)						
	A(1)	8 ~ 80 LPM	B(6)	0.2 ~ 2 LPM						
	A(2)	10 ~ 100 LPM	B(7)	0.3 ~ 3 LPM						
	A(3)	15 ~ 150 LPM	B(8)	0.5 ~ 5 LPM						
	A(4)	25 ~ 250 LPM	B(9)	0.8 ~ 8 LPM						
	A(5)	40 ~ 400 LPM	G(23)	1 ~ 10 LPM						
	Code	Body Material								
	PC	Polycarbonate								
	Code	Connection Material								
	S	SS316								
	Code	Process Connection								
	B	3/8"PT Female Thread								
	C	1/4"PT Female Thread [not applicable to A(4), A(5), B(9), G(23)]								
	Code	Alarm Switch Position								
	L	Left Side (Up On)								
	R	Right Side (Down On)								
	O	Without Alarm Switch								
	Code	Flow Direction								
	BT	Bottom Rear to Top Rear								
	Code	Needle Valve								
	V	With								
	N	Without								
MDS										Complete Ordering Code

| FLOW | | PRESSURE | | TEMPERATURE | | AC | | DC | | BATTERY | | OUTPUT | | CONTACT | | DISPLAY |