

Z-560

ACRYLIC PLASTIC FLOW METER

SIZE

1/2 inch
1
2 inch

OPTION

Alarm
Switch

FLUID

Water

SPECIFICATION

MODEL Z-560 (without guide rod)

APPLICATION Water

SIZE 1/2 ~ 2 inch

PROCESS CONNECTION PF, NPT Female Thread
NPT Male Thread

ACCURACY < 5% F.S.

MATERIAL Body : Polysulfone (PSU)
Float : Polypropylene (PP)
Connection : PA66 (Female), PA6 (Male)
O-Ring : FKM

MAX. PRESSURE 10 Bar (@20°C)

FLUID TEMPERATURE 0...60°C

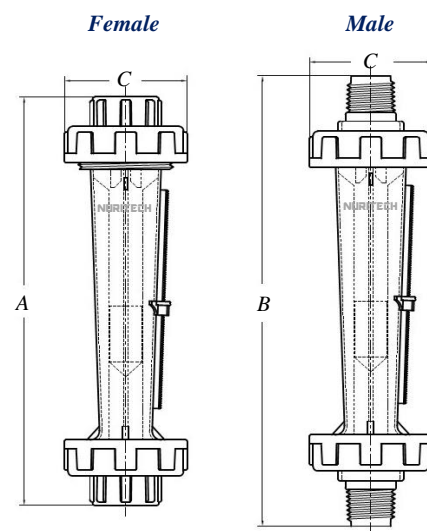
FLOW DIRECTION Bottom to Top

OPTION 1 Alarm Switch (N.O. / Up On or Down On / 24VDC 0.3A)



FLOW RANGE & DIMENSION

Model	Flow Range (L/min)	Connection Size		Dimension (mm)		
		Female	Male	A	B	C
Z-5615	1 ~ 10	1/2"PF 1/2"NPT	1/2"NPT	181	200	53
	2 ~ 20					
	2.5 ~ 25					
	3 ~ 30					
Z-5625	4 ~ 40	3/4"PF 3/4"NPT	3/4"NPT	255	278	60
	5 ~ 50					
	6 ~ 60					
Z-5632	6 ~ 60	1"PF 1"NPT	1"NPT	305	334	73
	7 ~ 70					
	8 ~ 80					
Z-5650	10 ~ 100	2"PF 2"NPT	2"NPT	370	400	101
	20 ~ 200					
	25 ~ 250					
	30 ~ 300					
	50 ~ 500					
80 ~ 800						



FLOW | PRESSURE | TEMPERATURE | AC | DC | BATTERY | OUTPUT | CONTACT | DISPLAY