

# OM040

## GEAR FLOW METER

FLOW RANGE	ACCURACY	MEDIA
15...250 L/min @ 3cP	< 0.5% of Reading	Liquid

### SPECIFICATION

<b>MODEL / MAX. PRESSURE</b>	OM040A : Aluminum Body / 30 Bar OM040S : 316LSS Body / 30 Bar OM040N : 316LSS Body / 50 Bar OM040H : 316LSS Body / 400 Bar
------------------------------	---

<b>APPLICATION</b>	Liquid
--------------------	--------

<b>FLOW RANGE</b>	15 ... 250 L/min (@3cP)
-------------------	-------------------------

<b>METER SIZE</b>	1-1/2 inch
-------------------	------------

<b>PROCESS CONNECTION</b>	BSP / NPT Female Thread JIS / ANSI Flange* Sanitary Fitting*
---------------------------	--

<b>ACCURACY</b>	< 0.5% of rdg.
-----------------	----------------

<b>REPEATABILITY</b>	< 0.03% of rdg.
----------------------	-----------------

<b>BODY MATERIAL</b>	Aluminum or 316LSS
----------------------	--------------------

<b>ROTOR MATERIAL / BEARING</b>	PPS (-15...+120°C) / No bearing 316SS / Carbon Ceramic bearing*
---------------------------------	--

<b>O-RING MATERIAL / MIN. TEMP.</b>	FKM / min. -15°C PTFE encapsulated FKM / min. -15°C* Buna-N (Nitrile) / min. -40°C*
-------------------------------------	---

<b>PULSE OUTPUT</b>	Hall Effect (NPN) : 3 wire Open Collector, 5-24Vdc, 20mA max. Reed Switch : 24Vdc X 50mA max.
---------------------	--

<b>CABLE ENTRY</b>	M20 X 1.5mm 1/2 inch NPT*
--------------------	------------------------------

<b>TEMPERATURE LIMIT</b>	-15...+120°C -15...+150°C* (Hall Effect only / SS terminal cover) -40...+100°C*
--------------------------	---

<b>RECOMMENDED FILTRATION</b>	100 mesh (150 μm)
-------------------------------	-------------------

<b>EXPLOSION PROOF</b>	Exd II B T4 / T6 (Aluminum & SS meters)* Exd I / II B T4 / T6 (SS meters only)*
------------------------	--

<b>OPTION</b>	Integral LCD Flow Rate & Totalizer (Model TFM) Cut Rotors for High Viscosity Liquids
---------------	---

<b>TFM FLOW TRANSMITTER</b>	Back-Lighted LCD Flow Rate / Totalizer / Velocity DC4-20mA / Pulse / RS485* Explosion Proof (Exd II C T4)* 24VDC
-----------------------------	---

\* = Optional



OM040A

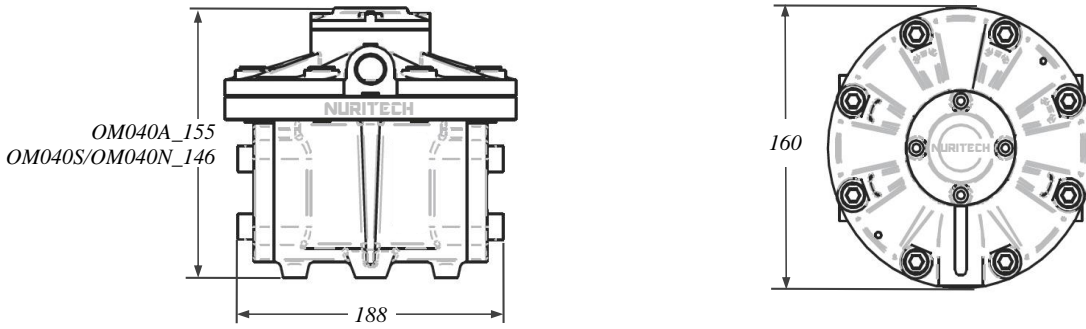


OM040A-TFM

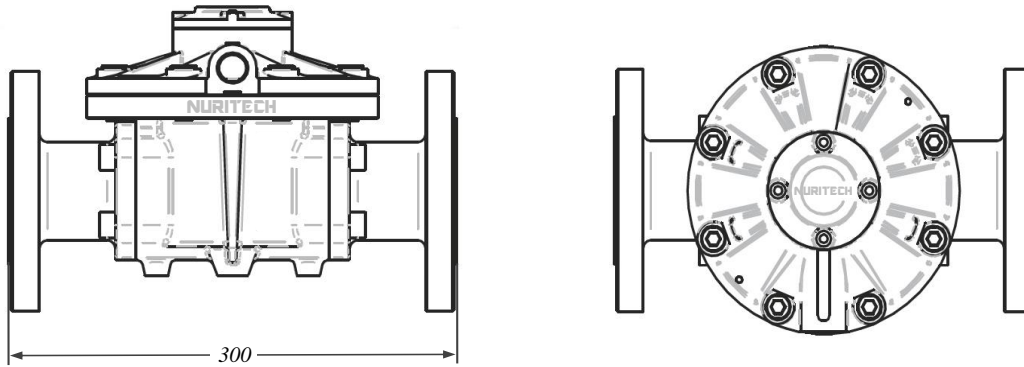
FLOW | PRESSURE | TEMPERATURE | AC | DC | BATTERY | OUTPUT | CONTACT | DISPLAY

**DIMENSION (mm)**

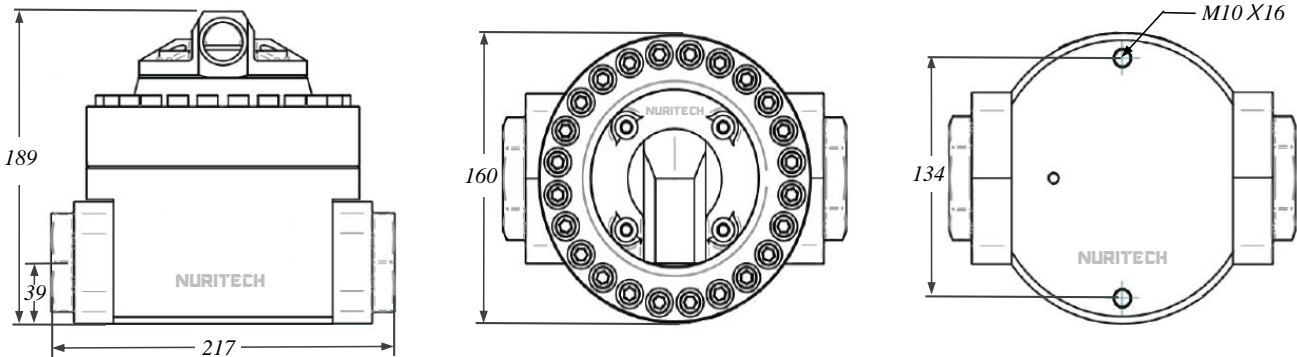
*OM040A / OM040S / OM040N*



*OM040A / OM040S*



*OM040H*



| FLOW | | PRESSURE | | TEMPERATURE | | AC | | DC | | BATTERY | | OUTPUT | | CONTACT | | DISPLAY |