

OM015

GEAR FLOW METER

FLOW RANGE	ACCURACY	MEDIA
1...40 L/min @ 3cP	< 0.5% of Reading	Liquid

SPECIFICATION

MODEL / MAX. PRESSURE	OM015A : Aluminum Body / 68 Bar OM015S : 316LSS Body / 68 Bar OM015N : 316LSS Body / 100 Bar OM015H : 316LSS Body / 400 Bar
APPLICATION	Liquid
FLOW RANGE	1 ... 40 L/min (@3cP)
METER SIZE	1/2 inch
PROCESS CONNECTION	BSP / NPT Female Thread JIS / ANSI Flange* Sanitary Fitting*
ACCURACY	< 0.5% of rdg.
REPEATABILITY	< 0.03% of rdg.
BODY MATERIAL	Aluminum or 316LSS
ROTOR MATERIAL / BEARING	PPS (-15...+120°C) / No bearing 316SS / Carbon Ceramic bearing*
O-RING MATERIAL / MIN. TEMP.	FKM / min. -15°C PTFE encapsulated FKM / min. -15°C* Buna-N (Nitrile) / min. -40°C*
PULSE OUTPUT	Hall Effect (NPN) : 3 wire Open Collector, 5-24Vdc, 20mA max. Reed Switch : 24Vdc X 50mA max.
CABLE ENTRY	M20 X 1.5mm 1/2 inch NPT*
TEMPERATURE LIMIT	-15...+120°C -15...+150°C* (Hall Effect only / SS terminal cover) -40...+100°C*
RECOMMENDED FILTRATION	100 mesh (150 μm)
EXPLOSION PROOF	Exd II B T4 / T6 (Aluminum & SS meters)* Exd I / II B T4 / T6 (SS meters only)*
OPTION	Integral LCD Flow Rate & Totalizer (Model TFM) Cut Rotors for High Viscosity Liquids
TFM FLOW TRANSMITTER	Back-Lighted LCD Flow Rate / Totalizer / Velocity DC4-20mA / Pulse / RS485* Explosion Proof (Exd II C T4)* 24VDC

* = Optional



OM015A



OM015A-TFM

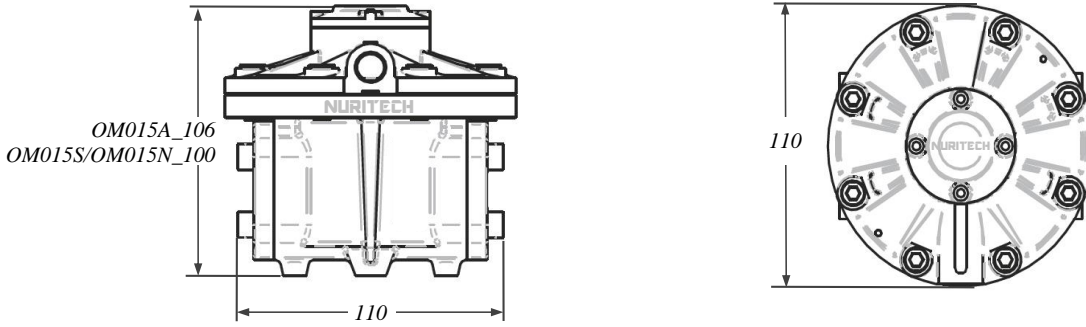


OM015H

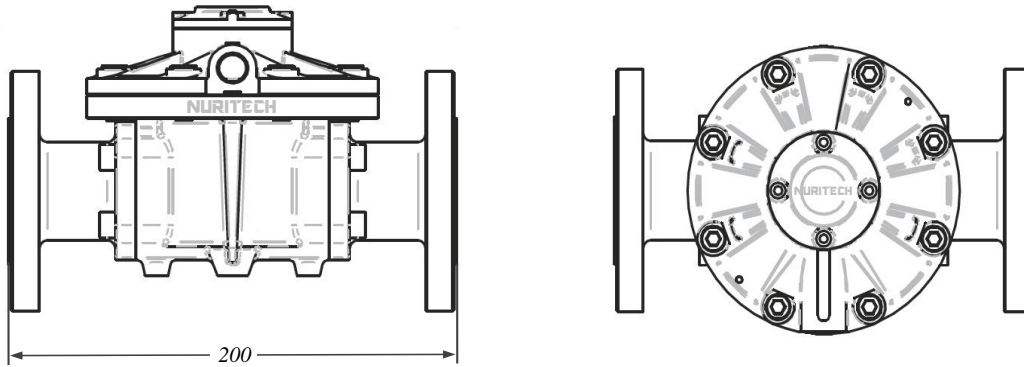
FLOW | PRESSURE | TEMPERATURE | AC | DC | BATTERY | OUTPUT | CONTACT | DISPLAY

DIMENSION (mm)

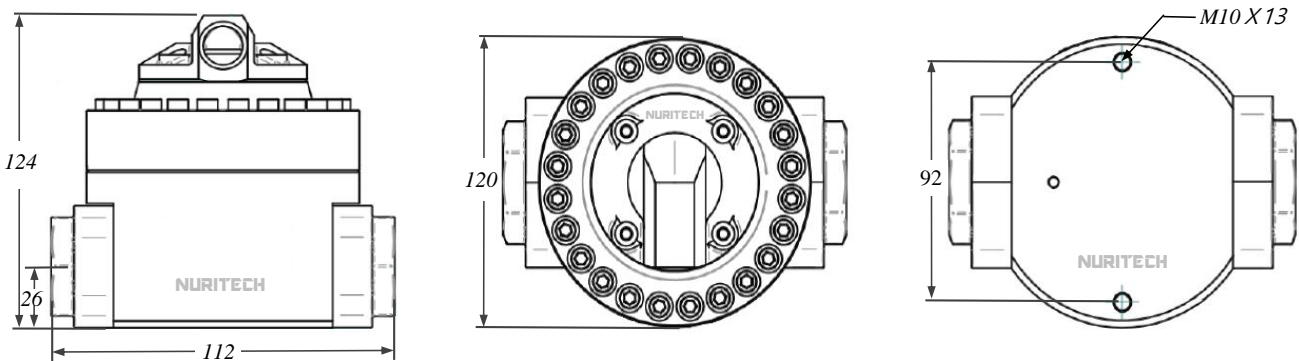
OM015A / OM015S / OM015N



OM015A / OM015S



OM015H



| FLOW | | PRESSURE | | TEMPERATURE | | AC | | DC | | BATTERY | | OUTPUT | | CONTACT | | DISPLAY |