

OM008

GEAR FLOW METER

FLOW RANGE	ACCURACY	MEDIA
15...550 L/hr @ 3cP	< 1.0% of Reading	Liquid

SPECIFICATION

MODEL / MAX. PRESSURE	OM008A : Aluminum Body / 15 Bar OM008S : 316LSS Body / 34 Bar OM008N : 316LSS Body / 100 Bar OM008H : 316LSS Body / 400 Bar
APPLICATION	Liquid
FLOW RANGE	15 ... 550 L/hr (@3cP)
METER SIZE	3/8 inch 1/4 inch (OM008H only)
PROCESS CONNECTION	BSP / NPT Female Thread JIS / ANSI Flange* Sanitary Fitting*
ACCURACY	< 1.0% of rdg.
REPEATABILITY	< 0.03% of rdg.
BODY MATERIAL	Aluminum or 316LSS
ROTOR MATERIAL / BEARING	PPS (-15...+80°C) / No bearing 316SS / Carbon Ceramic bearing*
O-RING MATERIAL / MIN. TEMP.	FKM / min. -15°C PTFE encapsulated FKM / min. -15°C* Buna-N (Nitrile) / min. -40°C*
PULSE OUTPUT	Hall Effect (NPN) : 3 wire Open Collector, 5-24Vdc, 20mA max. Reed Switch : 24Vdc X 50mA max.
CABLE ENTRY	M20 X 1.5mm 1/2 inch NPT*
TEMPERATURE LIMIT	-15...+80°C (PPS rotors only) -15...+120°C -15...+150°C* (Hall Effect only / SS terminal cover) -40...+100°C*
RECOMMENDED FILTRATION	200 mesh (75 μm)
EXPLOSION PROOF	Exd II B T4 / T6 (Aluminum & SS meters)* Exd I / II B T4 / T6 (SS meters only)*
OPTION	Integral LCD Flow Rate & Totalizer (Model TFM) Cut Rotors for High Viscosity Liquids
TFM FLOW TRANSMITTER	Back-Lighted LCD Flow Rate / Totalizer / Velocity DC4-20mA / Pulse / RS485* Explosion Proof (Exd II C T4)* 24VDC

* = Optional



OM008A



OM008A-TFM (150 °C)

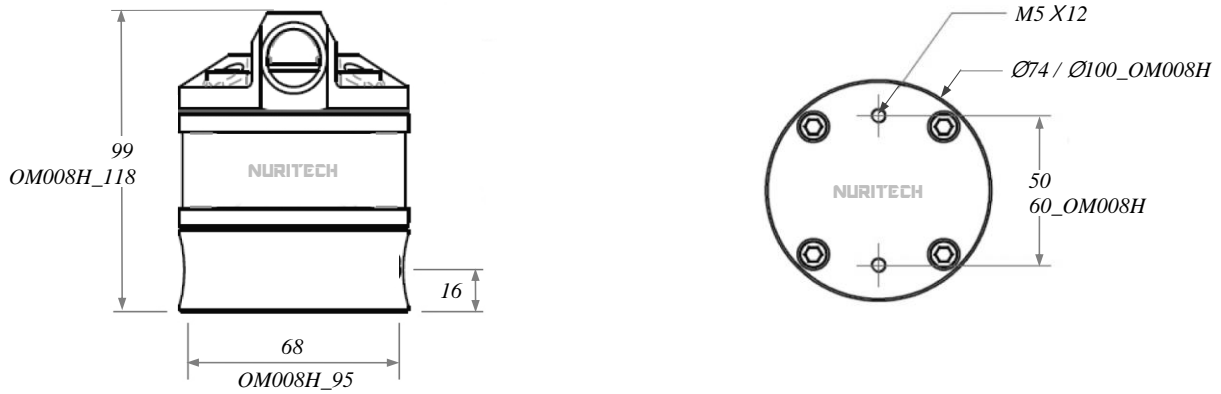


OM008H

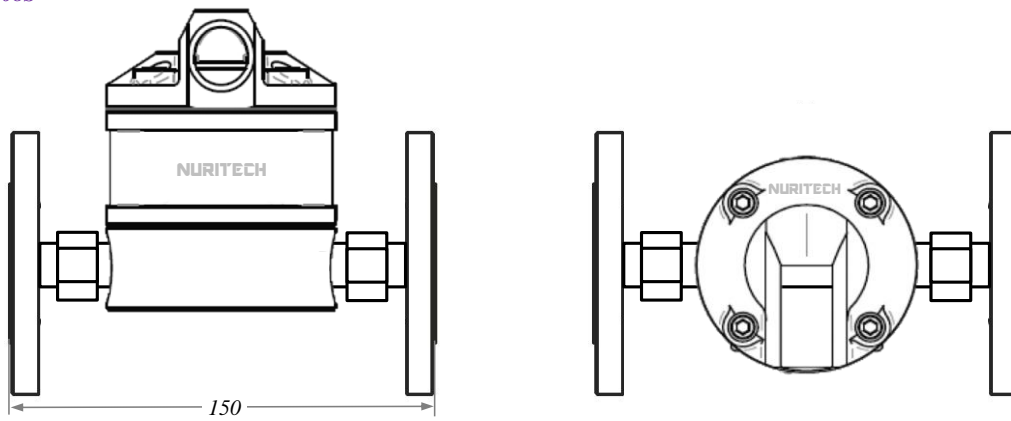
FLOW | PRESSURE | TEMPERATURE | AC | DC | BATTERY | OUTPUT | CONTACT | DISPLAY

DIMENSION (mm)

OM008A / OM008S / OM008N / OM008H



OM008A / OM008S



| FLOW | | PRESSURE | | TEMPERATURE | | AC | | DC | | BATTERY | | OUTPUT | | CONTACT | | DISPLAY |