

KM510

ELECTROMAGNETIC FLOW METER

SIZE

3/8 inch
~
6 inch

LINER

PTFE
Rubber

FLUID

Liquid

SPECIFICATION

MODEL	KM510 : Epoxy coated Carbon Steel Housing KM510S : SS304 Housing
APPLICATION	Liquid
CONDUCTIVITY	$\geq 5\mu\text{s/cm}$ ($20\mu\text{s/cm}$ for demineralized water)
SIZE	3/8 ~ 6 inch
PROCESS CONNECTION	JIS / ANSI Flange
FLOW RANGE	0.3 ~ 10 m/s
FLOW DIRECTION	Bi-directional
ACCURACY	< 0.5% F.S.
REPEATABILITY	< 0.1% F.S.
MATERIAL	Amplifier : Cast Aluminum Housing : Epoxy coated Carbon Steel / SS304 Flange : Epoxy coated Carbon Steel / SS304 Lining : F46 (3/8 ~ 3/4 inch) PTFE (1 ~ 6 inch) Rubber (2 ~ 6 inch) Electrode : SS316L / Hastelloy-C / Titanium Tantalum / Platinum-Iridium
OUTPUT	DC4-20mA, Pulse, RS485 (Modbus)
MAX. PRESSURE	Flange Rule
FLUID TEMPERATURE	-10 ... +100°C (Integral type, PTFE Lining) -10 ... +150°C (Remote type, PTFE Lining) -10 ... +65°C (Rubber Lining)
AMBIENT TEMPERATURE	-10 ... +60°C
DISPLAY	2 Lines Back-Lighted LCD Flow Rate & Totalizer
POWER SUPPLY	AC220V 60Hz / 24VDC
PROTECTION CLASS	Integral type : IP65 Remote type : Housing - IP68 / Amplifier - IP65



KM510



KM510S

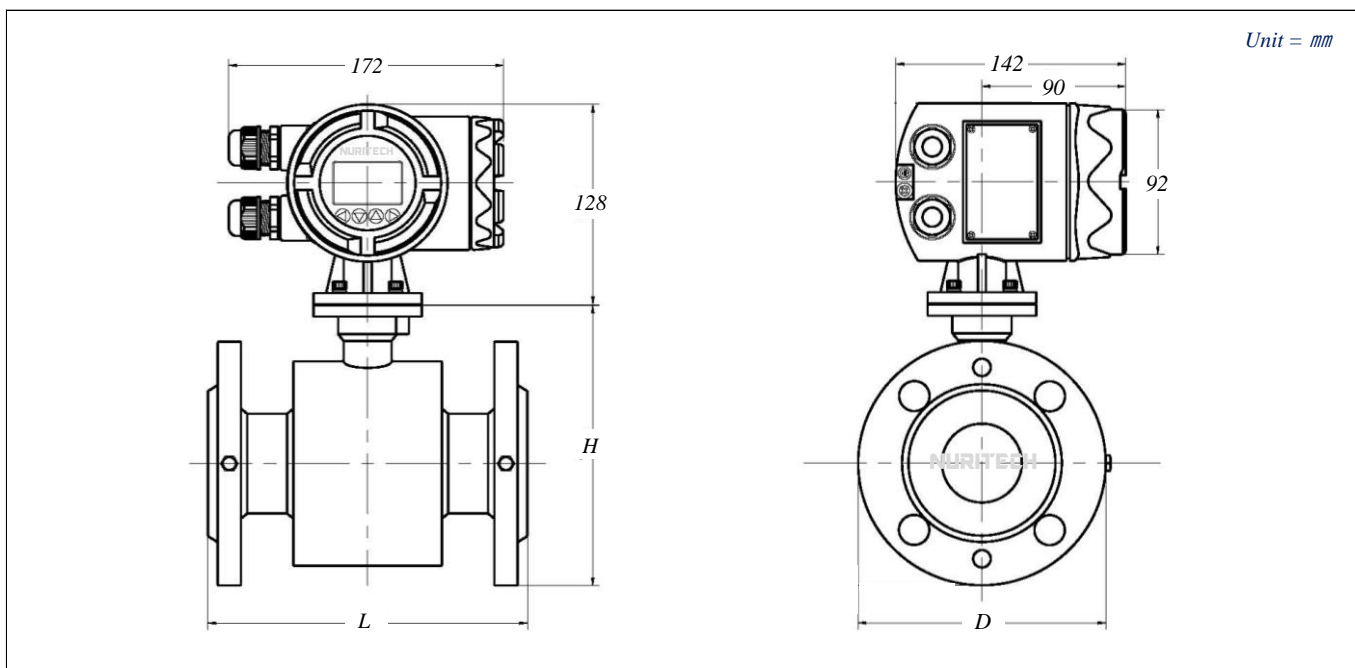
| FLOW |
| PRESSURE |
| TEMPERATURE |
| AC |
| DC |
| BATTERY |
| OUTPUT |
| CONTACT |
| DISPLAY |

TYPE & IMAGE



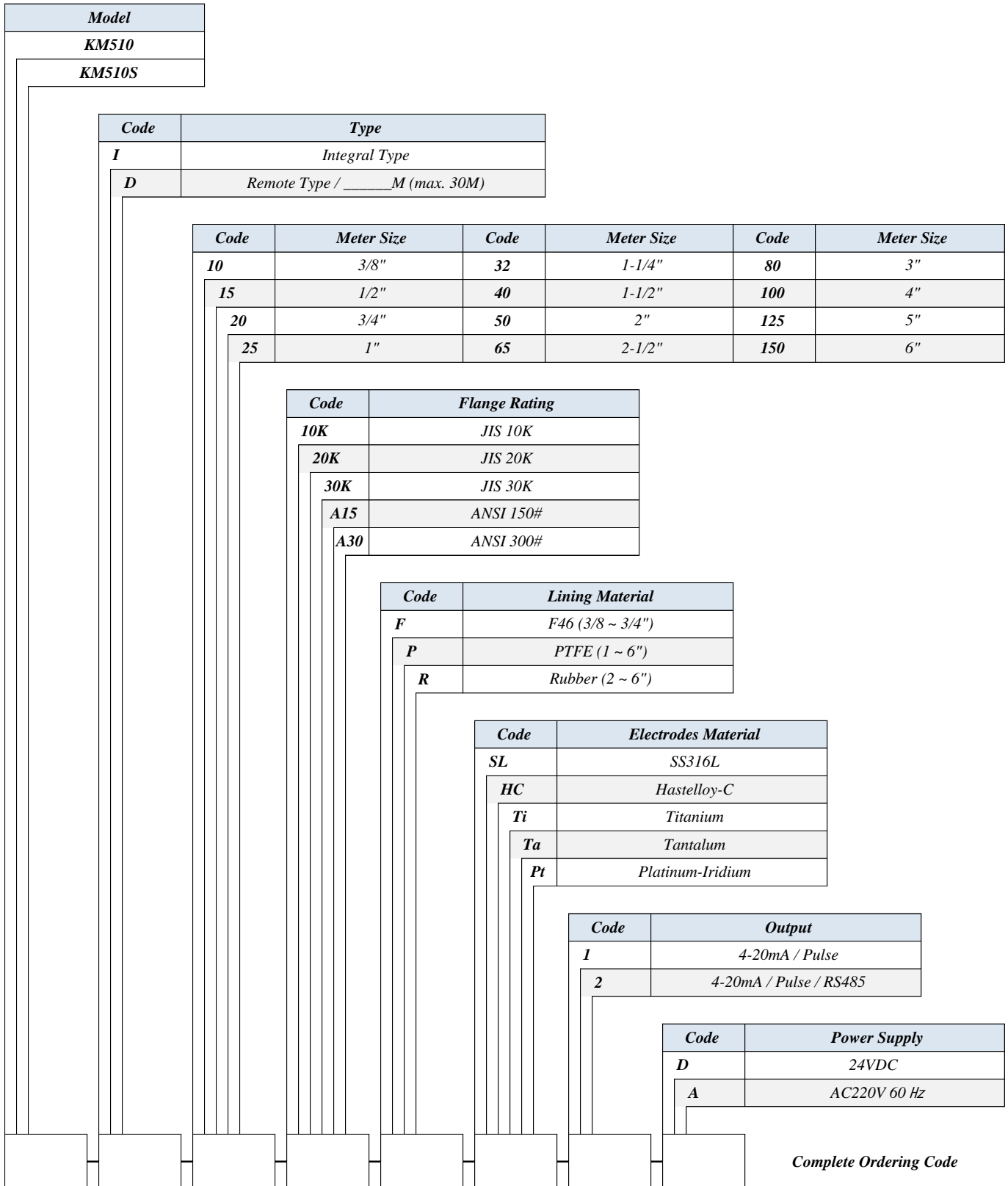
FLOW RANGE & DIMENSION

Meter Size		Flow Range (m ³ /hr)			Dimension (mm)		
		0.3 m/s	1 m/s	10 m/s	L	H	D
10A	3/8B	0.08	0.28	2.82	150 ± 5	130	90
15A	1/2B	0.19	0.63	6.36		132.5	95
20A	3/4B	0.34	1.13	11.30		135	100
25A	1B	0.53	1.76	17.67	150	150	125
32A	1-1/4B	0.86	2.89	28.95		160	135
40A	1-1/2B	1.35	4.52	45.23		167.5	140
50A	2B	2.12	7.06	70.68	200	182.5	155
65A	2-1/2B	3.58	11.94	119.45		197.5	175
80A	3B	5.42	18.09	180.95		212.5	185
100A	4B	8.48	28.27	282.74	250	225	210
125A	5B	13.25	44.17	441.78		270	250
150A	6B	19.08	63.61	636.17		300	280



| FLOW | | PRESSURE | | TEMPERATURE | | AC | | DC | | BATTERY | | OUTPUT | | CONTACT | | DISPLAY |

ORDERING INFORMATION



| FLOW | | PRESSURE | | TEMPERATURE | | AC | | DC | | BATTERY | | OUTPUT | | CONTACT | | DISPLAY |