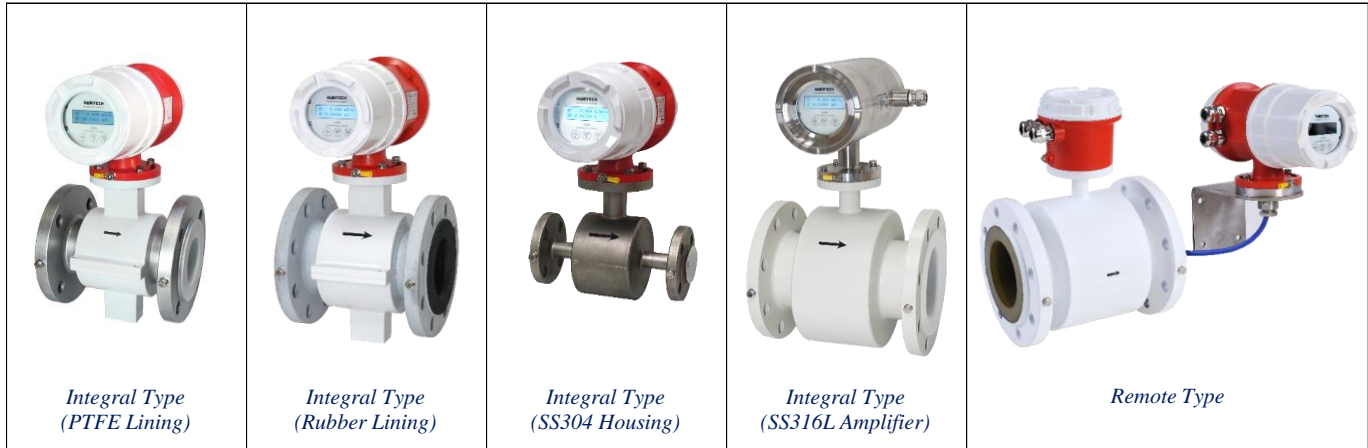
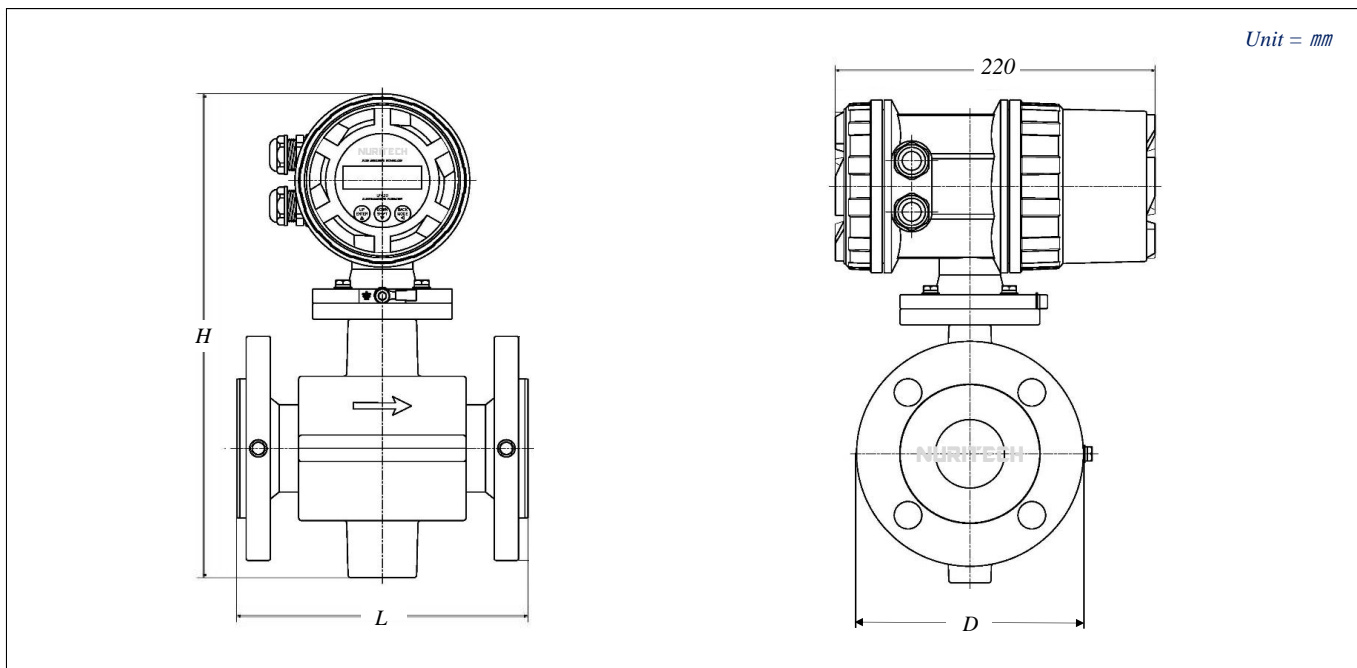


TYPE & IMAGE



FLOW RANGE & DIMENSION

Meter Size		Flow Range (m ³ /hr)			Dimension (mm)		
		0.3 m/s	1 m/s	10 m/s	L	H	D
10A	3/8B	0.08	0.28	2.82	200	280	90
15A	1/2B	0.19	0.63	6.36			95
20A	3/4B	0.34	1.13	11.30		305	100
25A	1B	0.53	1.76	17.67			125
32A	1-1/4B	0.86	2.89	28.95		315	135
40A	1-1/2B	1.35	4.52	45.23			320
50A	2B	2.12	7.06	70.68		335	155
65A	2-1/2B	3.58	11.94	119.45			365
80A	3B	5.42	18.09	180.95	380	185	
100A	4B	8.48	28.27	282.74		250	415
125A	5B	13.25	44.17	441.78	455		250
150A	6B	19.08	63.61	636.17	300	485	280



| FLOW | | PRESSURE | | TEMPERATURE | | AC | | DC | | BATTERY | | OUTPUT | | CONTACT | | DISPLAY |

