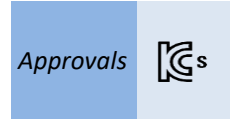


# T200EX

EXPLOSION PROOF TEMPERATURE TRANSMITTER

<b>RANGE</b>	<b>ACCURACY</b>	<b>STEM LENGTH</b>
-200 ~ 0 ... <b>500 °C</b>	+ / - <b>0.5 %</b>	20 ... <b>500 mm</b>



Explosion Proof Type

## SPECIFICATION

<b>MODEL</b>	T200EX : Type A T200EX-CP : Type B & Type C
<b>RANGE</b>	Type A : -20 ... +200°C 범위 내 제작 가능 Type B : -50 ... +500°C 범위 내 제작 가능 Type C : -200 ... +100°C 범위 내 제작 가능
<b>OUTPUT</b>	DC4-20mA
<b>ACCURACY</b>	±0.5% F.S. ≥+200°C : ±1.0% F.S. ≤-50°C : ±1.0% F.S.
<b>POWER</b>	DC24V
<b>SENSOR ELEMENT</b>	PT100Ω
<b>AMBIENT TEMPERATURE</b>	-20 ~ +60 °C
<b>WETTED MATERIAL</b>	Housing : 304SS Wetted Parts : 316SS
<b>PROCESS CONNECTION</b>	PT 1/4", 3/8", 1/2"(std.) 1.5S Tri clamp* VCR 1/4", 1/2"* [ 1/4"=Fixed 3.2Φ, 1/2"=Fixed 6.4Φ ]
<b>CABLE GLAND PORT</b>	1/2"PF Female
<b>STEM OUTDIA.</b>	3.2Φ, 4Φ, 6.4Φ(std.)
<b>STEM LENGTH</b>	Max. 500mm 최소 20mm부터 최대 500mm까지 제작 가능
<b>PROTECTION</b>	Ex d IIC T6 IP67
<b>UNIT</b>	°C or °F *Optional

| FLOW | | PRESSURE | | TEMPERATURE | | AC | | DC | | BATTERY | | OUTPUT | | CONTACT | | DISPLAY |

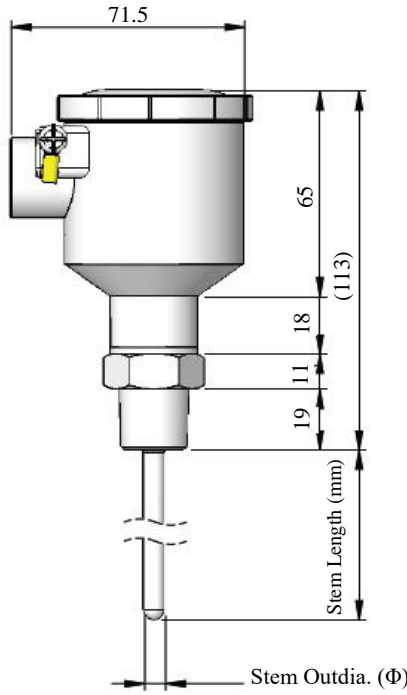
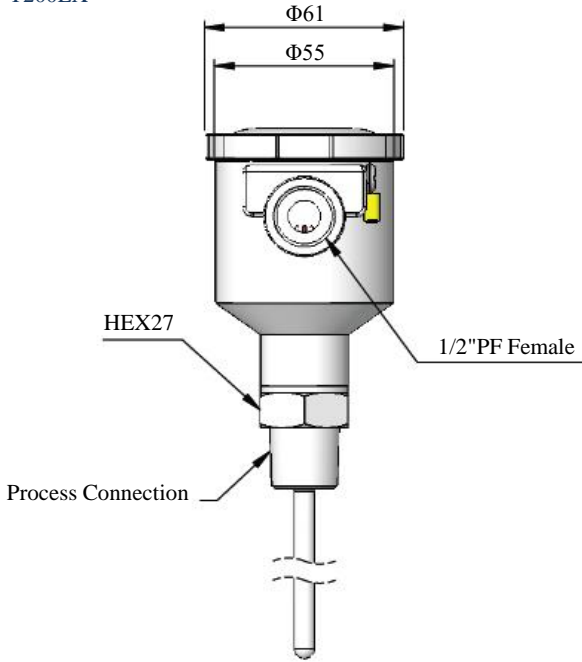
**Teflon Lining Thermowell Available !!** (Optional)  
More details, please check "WST/WSF" products



### DIMENSION (mm)

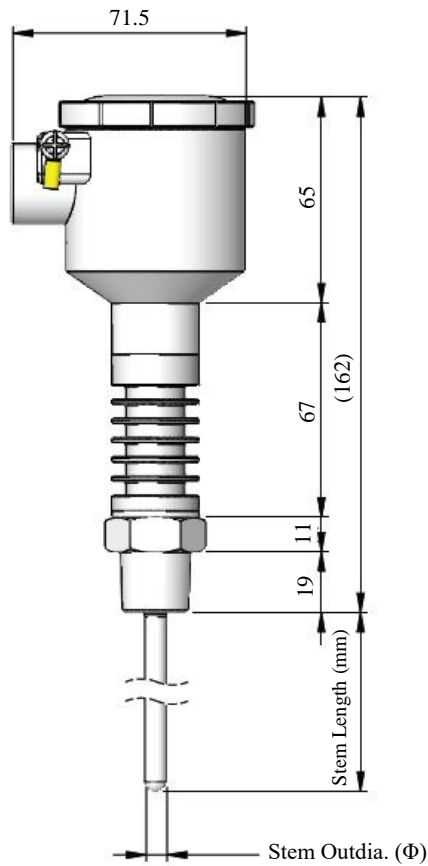
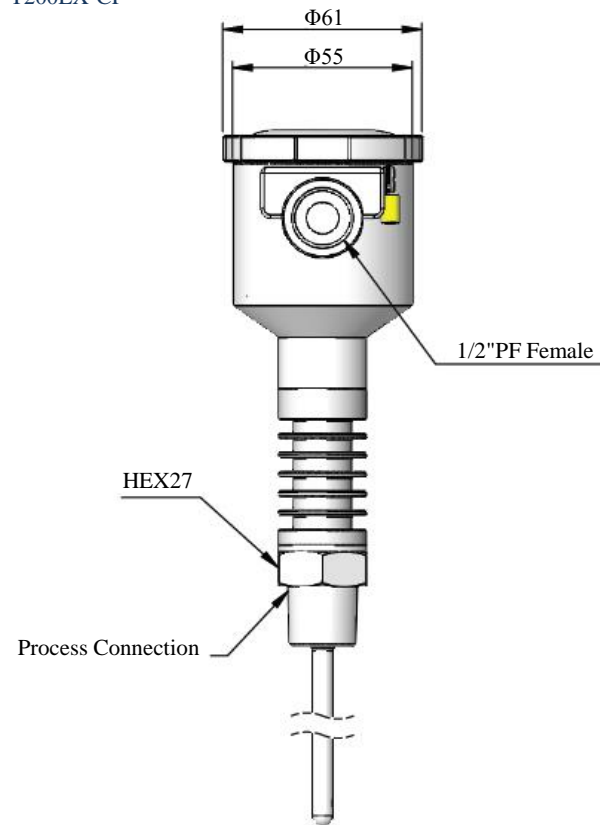
※ 제품의 사양에 따라 변경 될 수 있습니다

T200EX



Process Connection	
C	L
PT 1/4"	14
PT 3/8"	17
PT 1/2"	19

T200EX-CP



### Ordering Information

Code	Model
T200EX	T200EX (Type A)
T200EX-CP	T200EX-CP (Type B & C)

Code	Range Type
A	Type A [ -20~+200 °C]
B	Type B [ -50~+500 °C], T200EX-CP
C	Type C [ -200~+100 °C], T200EX-CP

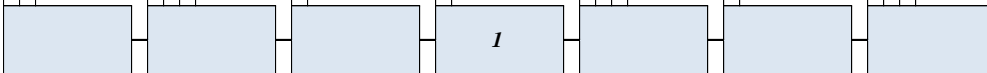
Code	Temperature Range
제작범위	Range Type에 해당되는 제작 요청 온도범위 기재 ex) 0~100°C, 0~400°C, -100~100°C 등

Code	Output
1	2-wire DC4-20mA

Code	Process Connection		
1	1/2"PT(std.)	4	1.5S Tri clamp
2	3/8"PT	5	VCR 1/2"
3	1/4"PT	6	VCR 1/4"

Code	Stem length
mm	Min. 20mm ~ Max.500mm 제작 요청 길이 기재

Code	Stem Outdia.
6.4	6.4 Φ (std.)
4	4 Φ
3.2	3.2 Φ



Complete Ordering Code

| FLOW | | PRESSURE | | TEMPERATURE | | AC | | DC | | BATTERY | | CONTACT | | DISPLAY | | OUTPUT |