

RCH / RCN / RCU

SHEATH TYPE RESISTANCE SENSOR

Approvals:



ELEMENT	STEM LENGTH	MATERIAL
PT100 Ω	Max. 400 mm	316 SS



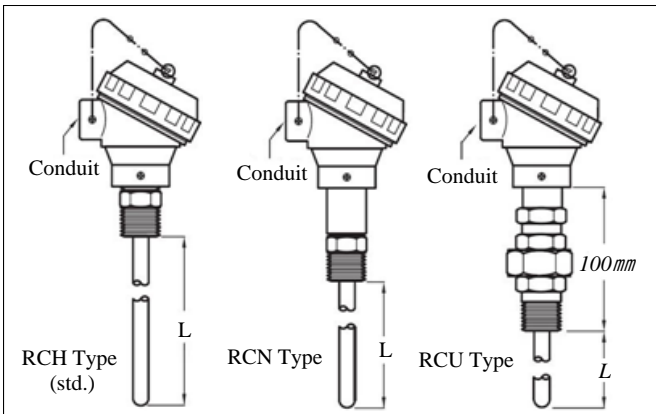
SPECIFICATION

MODEL	RCH RCN RCU
ELEMENT TYPE	PT 100Ω at 0℃
ELEMENT NO.	Single (std.) Double
RANGE	-200 . . . 650℃ according to applicable standards table
STD. MEASURING TEMPERATURE	-50 . . . 300℃ Other measuring temperature range available
ACCURACY	Class A : ± (0.15+0.002 l t l) (std.) Class B : ± (0.3+0.005 l t l)
MEASURING WIRING METHOD	2-wire, 3-wire (std.), 4-wire
SHEATH MATERIAL	316SS
PROCESS CONNECTION	1/2" NPT 3/4" NPT Other Connection Available
SENSOR TYPE	Welded Type (std.) Spring Loaded Type
CONDUIT CONNECTION	1/2" NPT Female (std.) 3/4" NPT Female
SHEATH OUTER DIAMETER	1.6, 3.2, 4.8, 6 (std.), 8, 9, 12.75 mm

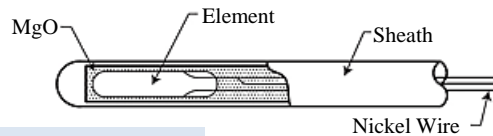


Teflon Lining Thermowell Available !! (Optional)
More details, please check "WST/WSF" products

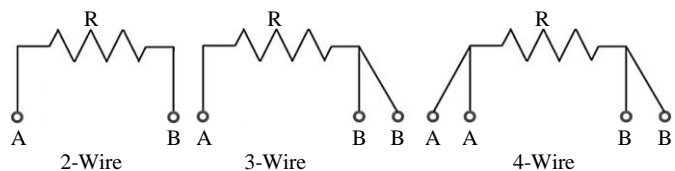
RESISTANCE SENSOR MODEL



COMPONENT LIST

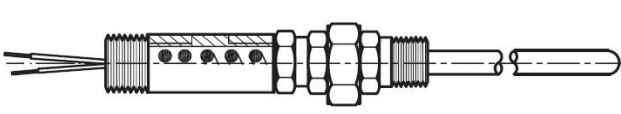
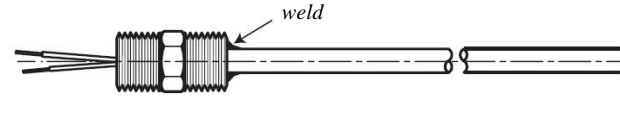
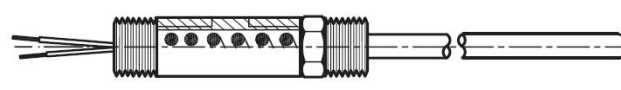
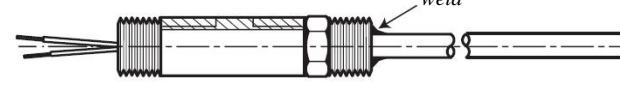


WIRING METHOD


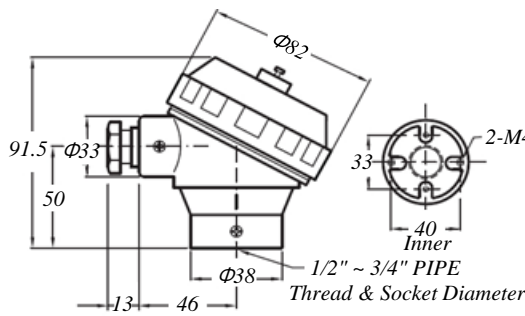

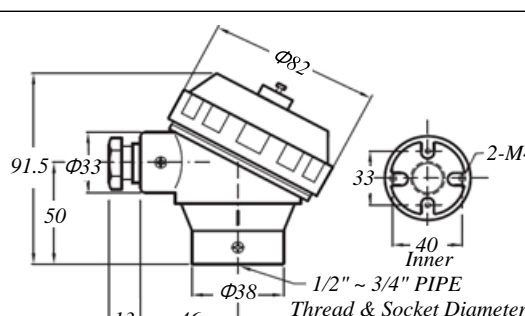

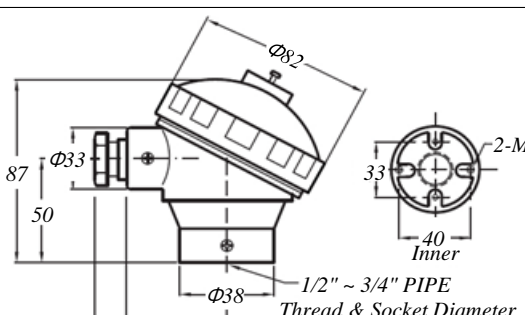


| FLOW | | PRESSURE | | TEMPERATURE | | AC | | DC | | BATTERY | | OUTPUT | | CONTACT | | DISPLAY |

SENSOR TYPE

<p>(A) Spring Loading Hexagonal Head Thread Type (RCU Type)</p> 	<p>(C) Welded Hexagonal Head Thread Type (RCH Type) std.</p> 
<p>(B) Spring Loading Nipple Thread Type (RCN Type)</p> 	<p>(D) Welded Nipple Thread Type (RCN Type)</p> 

HEAD TYPE TECHNICAL DATA

<p>HN Type (std.)</p> 	<p>Protection: IP66 Material: Aluminum Alloy Weight: 264g Protection tube connection: 1/2", 3/4" (PF, NPT, BSP), M20x1.5 Extension wire connection: 1/2", 3/4" (PF, NPT, BSP), M20x1.5 Other specifications are available on request.</p>	
<p>LS Type</p> 	<p>Protection: IP66 Material: 316SS Weight: 764g Protection tube connection: 1/2", 3/4" (PF, NPT, BSP), M20x1.5 Extension wire connection: 1/2", 3/4" (PF, NPT, BSP), M20x1.5 Other specifications are available on request.</p>	
<p>HP Type</p> 	<p>Protection: Weather Proof Type Material: Polypropylene Weight: 112g Protection tube connection: 1/2" NPT, 1/2" BSP Extension wire connection: 3/4" NPT, M20x1.5 Other specifications are available on request.</p>	

| FLOW | | PRESSURE | | TEMPERATURE | | AC | | DC | | BATTERY | | OUTPUT | | CONTACT | | DISPLAY |

Ordering Information

Code	Model
RCH	RCH sensor type C (std.)
RCN	RCN sensor type B/D
RCU	RCU sensor type A

Code	Head Housing Model
1	HN (std.)
2	HP
6	LS

Code	Sensor Type
A	Spring Loading Hexagonal Head Thread Type
B	Spring Loading Nipple Thread Type
C	Welded Hexagonal Head Thread Type (std.)
D	Welded Nipple Thread Type

Code	Sensor Connection Type(Thread)
1	1/2" NPT (std.)
2	3/4" NPT
3	Option

Code	Conduit Connection
A	1/2" NPT Female (std.)
B	3/4" NPT Female
O	Option

Code	"O.D"	Code	"O.D"	Code	"O.D"	Code	"O.D"
1	1.6mm	3	4.8mm	5	8.0mm	7	12.75mm
2	3.2mm	4	6.0mm	6	9.0mm		

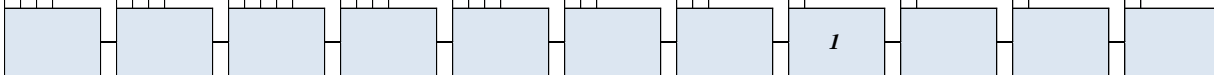
Code	Sheath Material
A	SS316
O	Option

Code	Element Type
1	PT100 Ω

Code	Element No.	Code	Element No.
S	Single	D	Double

Code	Class	Code	Class
1	Class A	2	Class B

Code	Insertion Length
	"L=___"mm



| FLOW | | PRESSURE | | TEMPERATURE | | AC | | DC | | BATTERY | | OUTPUT | | CONTACT | | DISPLAY |