

TST-LCD

ATTACHABLE INDICATOR

DISPLAY

LCD
4-Digit

INPUT

4-20 mA

CONNECTION

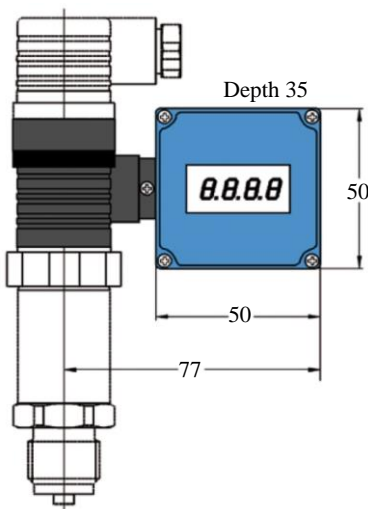
DIN EN
175301-803/A



SPECIFICATION

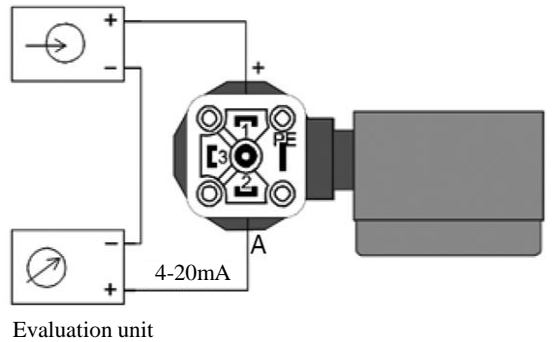
MODEL	TST-LCD
DISPLAY	4-digit LCD-display 10 mm -1999...9999 Interval : 5/s Damping : 3 stage adjustable
INPUT	Signal : DC4-20mA Voltage drop : 3V DC Accuracy : ±0.2%, ±1 digit
AMBIENT TEMPERATURE	0 to 50 °C
HOUSING	ABS material, polycarbonate front window IP65
ELECTRICAL CONNECTION	DIN EN 175301-803/A

DIMENSION (mm)



CONNECTION DIAGRAM

2-wire connection
Power supply device
Pressure transmitter



| FLOW | | PRESSURE | | TEMPERATURE | | AC | | DC | | BATTERY | | OUTPUT | | CONTACT | | DISPLAY |