

# TS-WM110

WALL-MOUNTING INDICATOR

DISPLAY

LED  
4-Digit

INPUT

4-20 mA  
0~10 V

OUTPUT

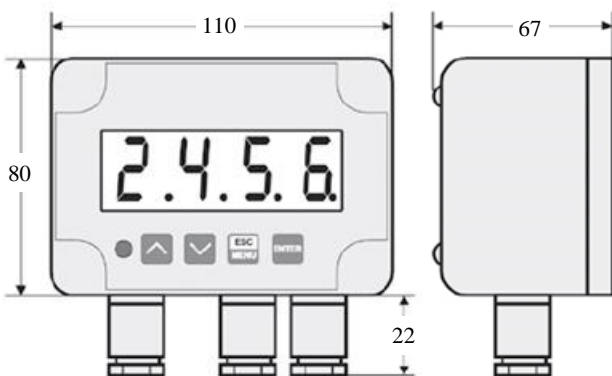
2-Relay



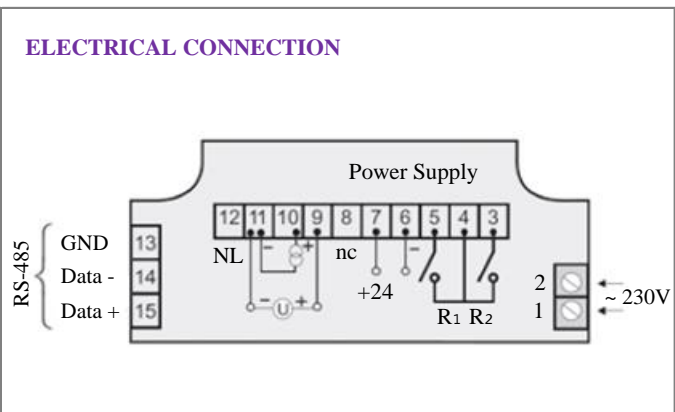
## SPECIFICATION

<b>MODEL</b>	TS-WM110
<b>DISPLAY</b>	4-digit LED-display -999...9999
<b>INPUT</b>	DC4-20mA 0~10V DC
<b>OUTPUT</b>	2 Relais outputs 250V AC-1A
<b>AMBIENT TEMPERATURE</b>	-20 to 50°C
<b>POWER</b>	230V AC±10%, max.2,5V
<b>SENSOR SUPPLY VOLTAGE</b>	24V DC, max. 25mA
<b>PROTECTION CLASS</b>	IP65
<b>PROGRAMMABLE PARAMETER</b>	Input signal Measuring range and decimal point Threshold and hysteresis Contact function Display light intensity Password protected area

## DIMENSION (mm)



## ELECTRICAL CONNECTION



| FLOW | | PRESSURE | | TEMPERATURE | | AC | | DC | | BATTERY | | OUTPUT | | CONTACT | | DISPLAY |