

PD2

PRESSURE INDICATOR

DISPLAY

LED
4-Digit

INPUT

4-20 mA

OUTPUT

4-20 mA
2-Relay
RS485
1~5V



SPECIFICATION

MODEL	PD2
DISPLAY	4-Digit Red LED
ACCURACY	±0.2% F.S.
SAMPLING CYCLE	200ms
INPUT	DC4-20mA
OUTPUT	DC4-20mA 2-Relays output [DC24V-1A, AC120V-1A, AC240V-0.5A] RS-485* 1~5V DC*
AMBIENT TEMPERATURE	-10 to 60°C
HOUSING MATERIAL	ABS Resin
POWER	AC110 / 220V, 50~60Hz DC24V*
FEATURE	Adjustable Scale & Decimal Point Peak Hold Correction of error Adjustable Dead Band [2-digit] Built in power supply for transmitter [DC24V]
MOUNTING	Panel mounting Type * = Optional

ACCESSORY

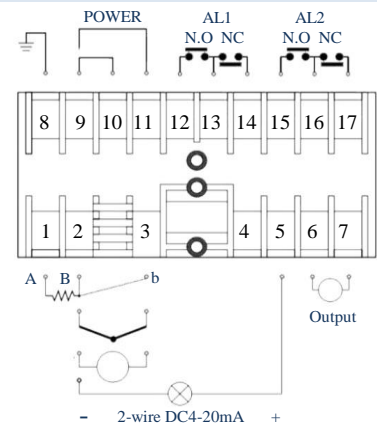
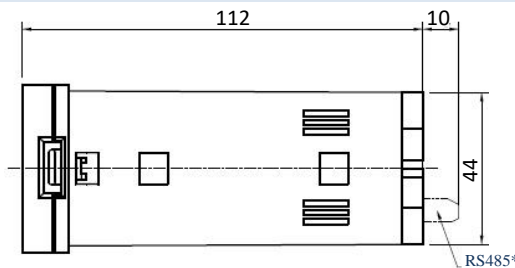
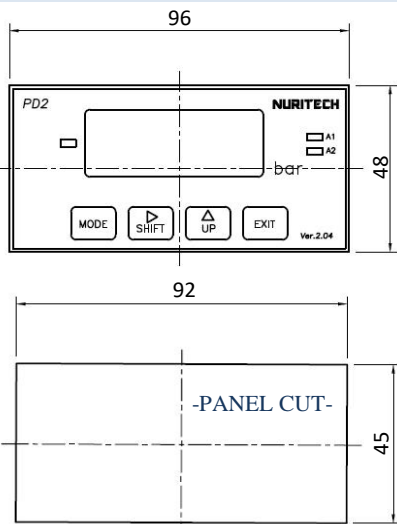
Panel Mounting Bracket
고정 브라켓 (기본 포함)



Terminal Cover
단자대 보호 커버 (별매)

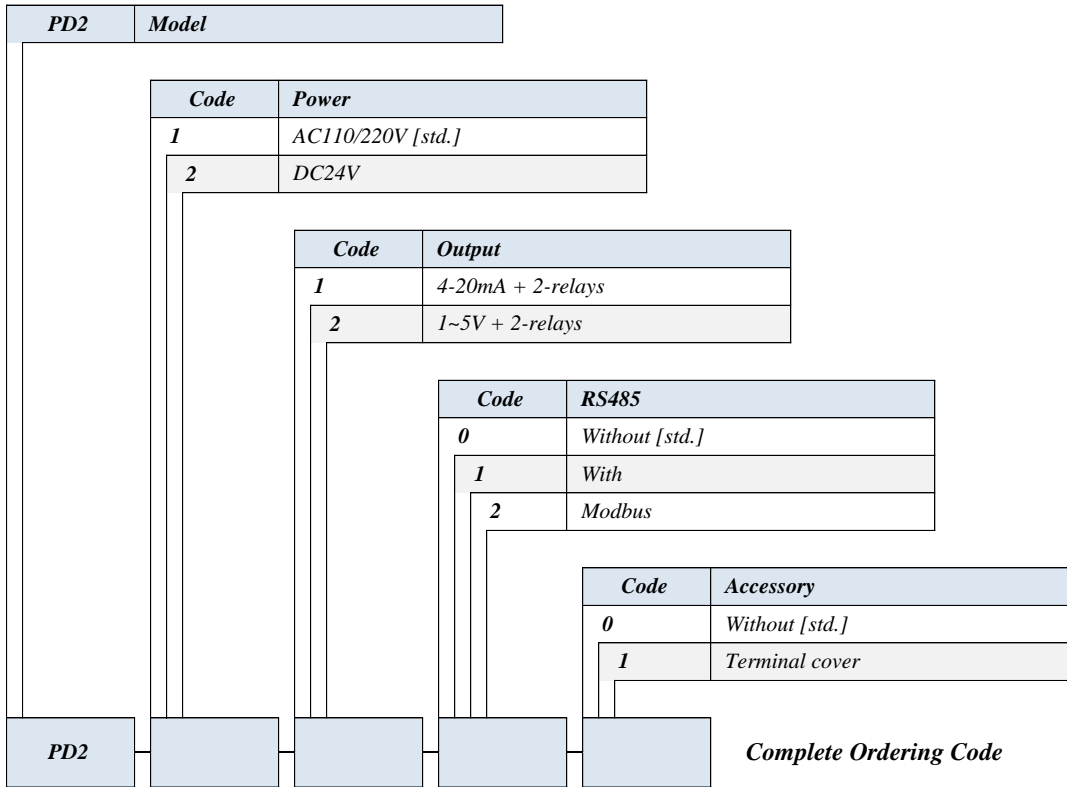


DIMENSION (mm)



| FLOW | | PRESSURE | | TEMPERATURE | | AC | | DC | | BATTERY | | OUTPUT | | CONTACT | | DISPLAY |

Ordering Information



| FLOW | | PRESSURE | | TEMPERATURE | | AC | | DC | | BATTERY | | OUTPUT | | CONTACT | | DISPLAY |

RELATED PRODUCTS

Pressure Transmitter

Flush Diaphragm Transmitter

Corrosion Resistance Transmitter

Pressure Transmitter with Display

Explosion Proof Transmitter

Diff. Pressure Transmitter