

PSA2000W

PRESSURE SWITCH

RANGE

10 ~ 100 ...
1300 psi

SWITCH

One
SPDT

MEDIA

**Liquid
&
Gas**



Approvals:



Switches with UL & CSA Recognized and File No. E12252.

IP66

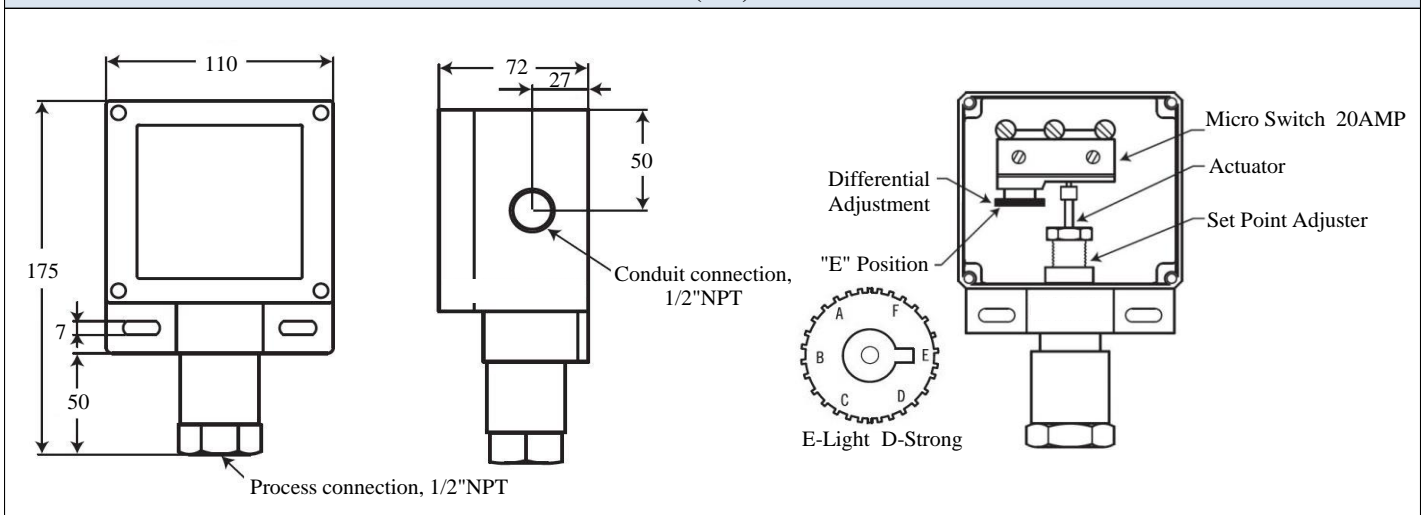
SPECIFICATION

MODEL	PSA2000W
PROCESS CONNECTION	1/4", 1/2" PT, NPT, PF Female M20 x P1.5 Female
MATERIALS	Housing : Die cast aluminum alloy with paint Wetted parts : 316SS
PRESSURE ELEMENT	Welded type diaphragm
SWITCH FORM	One SPDT
SWITCH DATA	20Amp @ 125, 250 or 480VAC; 5Amp, DC125V
CONDUIT CONNECTION	1/2"NPT Female, standard 3/4"NPT Female M20 x P1.5 Female
TEMPERATURE LIMIT	-30 ~ 205°C

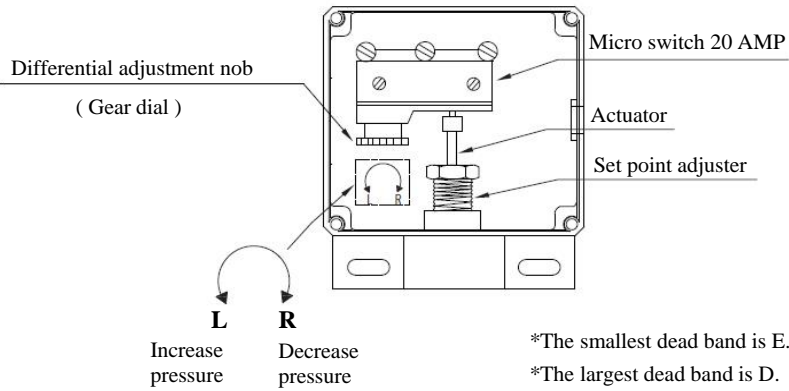
CODE	ADJUSTABLE RANGE	DEAD BAND "E" POSITION	MAX. PRESSURE PROOF
10R	10 ~ 100 psig	10 ~ 25	3000 psi
20R	35 ~ 200 psig	12 ~ 30	3000 psi
30R	50 ~ 300 psig	28 ~ 50	3000 psi
60R	100 ~ 600 psig	28 ~ 60	3000 psi
130R	200 ~ 1300 psig	42 ~ 100	3000 psi

DIMENSION (mm)

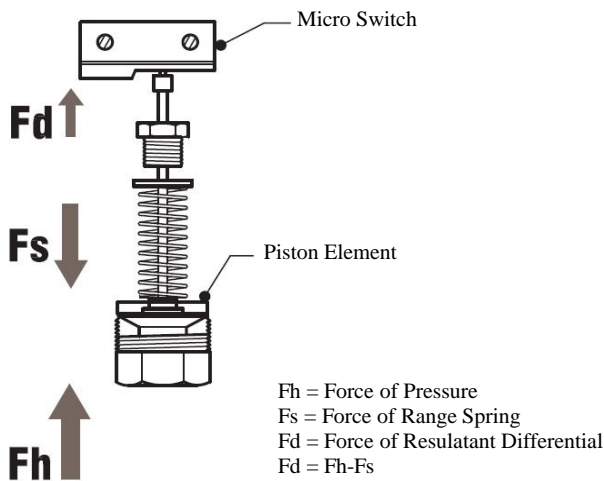
※ 제품의 사양에 따라 변경 될 수 있습니다



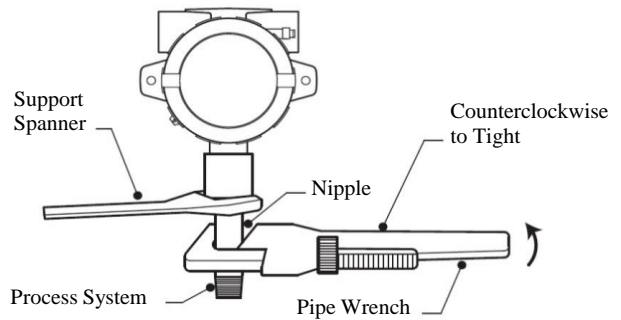
Range Setting Method



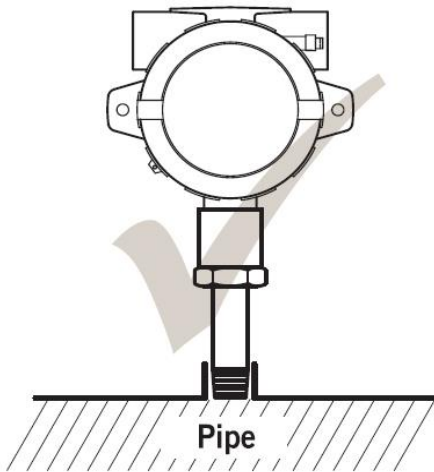
Principle



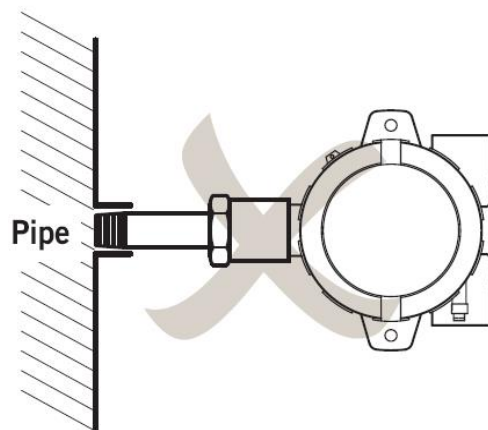
Process Installed Instruction



Process Installed Instruction



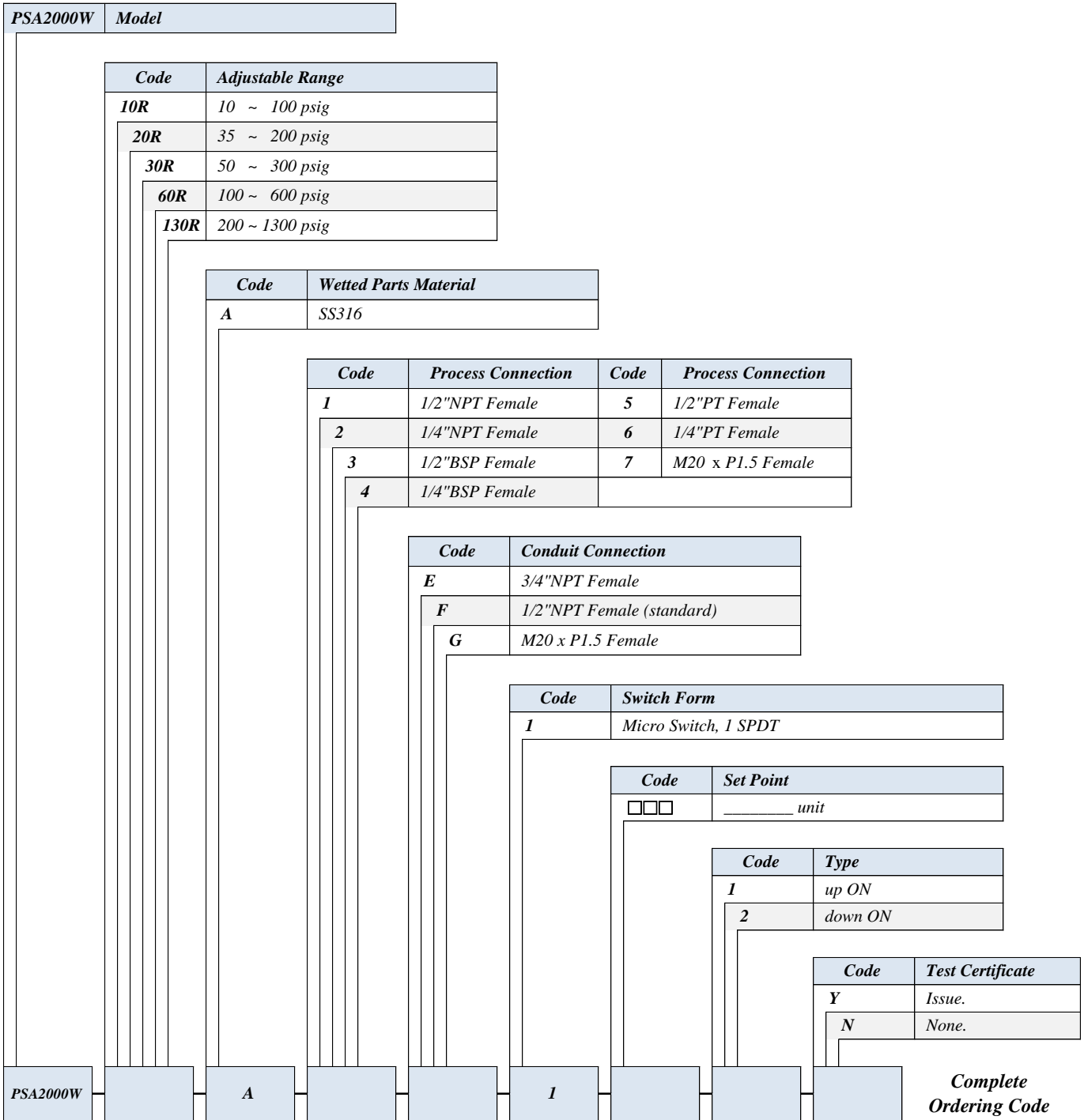
Correct : "Vertical" installation



Error : "Horizontal" installation

| FLOW | | PRESSURE | | TEMPERATURE | | AC | | DC | | BATTERY | | OUTPUT | | CONTACT | | DISPLAY |

Ordering Information



| FLOW | | PRESSURE | | TEMPERATURE | | AC | | DC | | BATTERY | | OUTPUT | | CONTACT | | DISPLAY |