

DPH

PISTON TYPE DIFFERENTIAL PRESSURE GAUGE

RANGE

0 ~ 0.6 ...
14 kg/cm²

ACCURACY

+/-
2.0 %

MEDIA

**Liquid
&
Gas**



SPECIFICATION

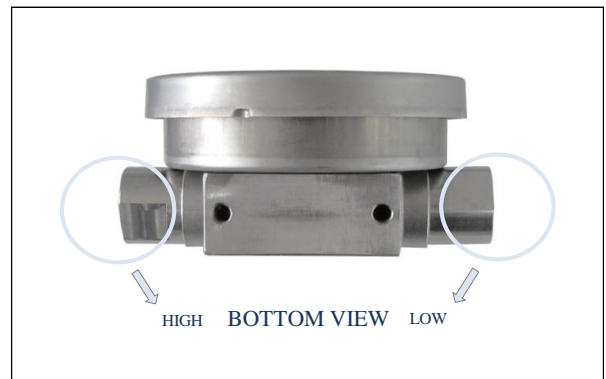
MODEL	DPH
APPLICATION	Liquid & Gas
ACCURACY	±2.0% F.S. [on rising pressure]
DIAL SIZE	100mm 150mm*
MATERIAL	Housing : 316SS Wetted Parts : 316SS
CONNECTION	1/4" NPT Female 1/4" PT Available* [with adapter]
WORKING PRESSURE	200 kgf/cm ² (Both of high & low side must be pressured on line at the same time)
WORKING TEMPERATURE	Max. 80°C Max. 150°C* [with cooling element]
HOUSING PROTECTION	IP66

*=Optional

Approvals:

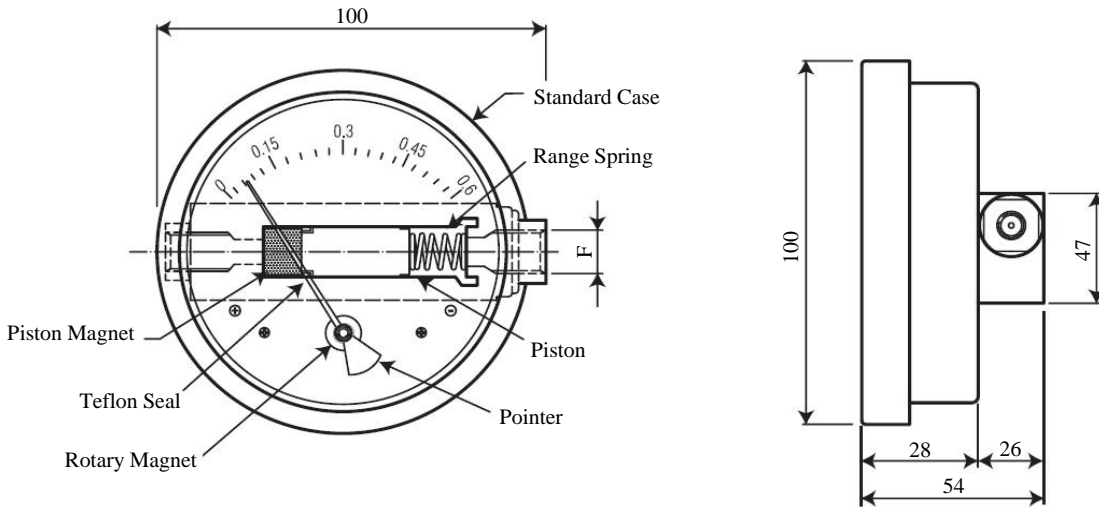


Range [single scale]		
CODE	kg/cm ²	psi
09R	0 ~ 0.6 kg/cm ²	0 ~ 9 psi
11R	0 ~ 0.75 kg/cm ²	0 ~ 11 psi
14R	0 ~ 1 kg/cm ²	0 ~ 14 psi
30R	0 ~ 2 kg/cm ²	0 ~ 30 psi
40R	0 ~ 2.5 kg/cm ²	0 ~ 40 psi
60R	0 ~ 4 kg/cm ²	0 ~ 60 psi
100R	0 ~ 7 kg/cm ²	0 ~ 100 psi
140R	0 ~ 10 kg/cm ²	0 ~ 140 psi
200R	0 ~ 14 kg/cm ²	0 ~ 200 psi



| FLOW | | PRESSURE | | TEMPERATURE | | AC | | DC | | BATTERY | | OUTPUT | | CONTACT | | DISPLAY |

DIMENSION (mm)



※ 제품의 사양에 따라 변경 될 수 있습니다

예시)



예시 이미지와 같이 같은 사양의 제품을 주문하여도 마킹이 상이 할 수 있습니다.

ACCESSORY

ADAPTER



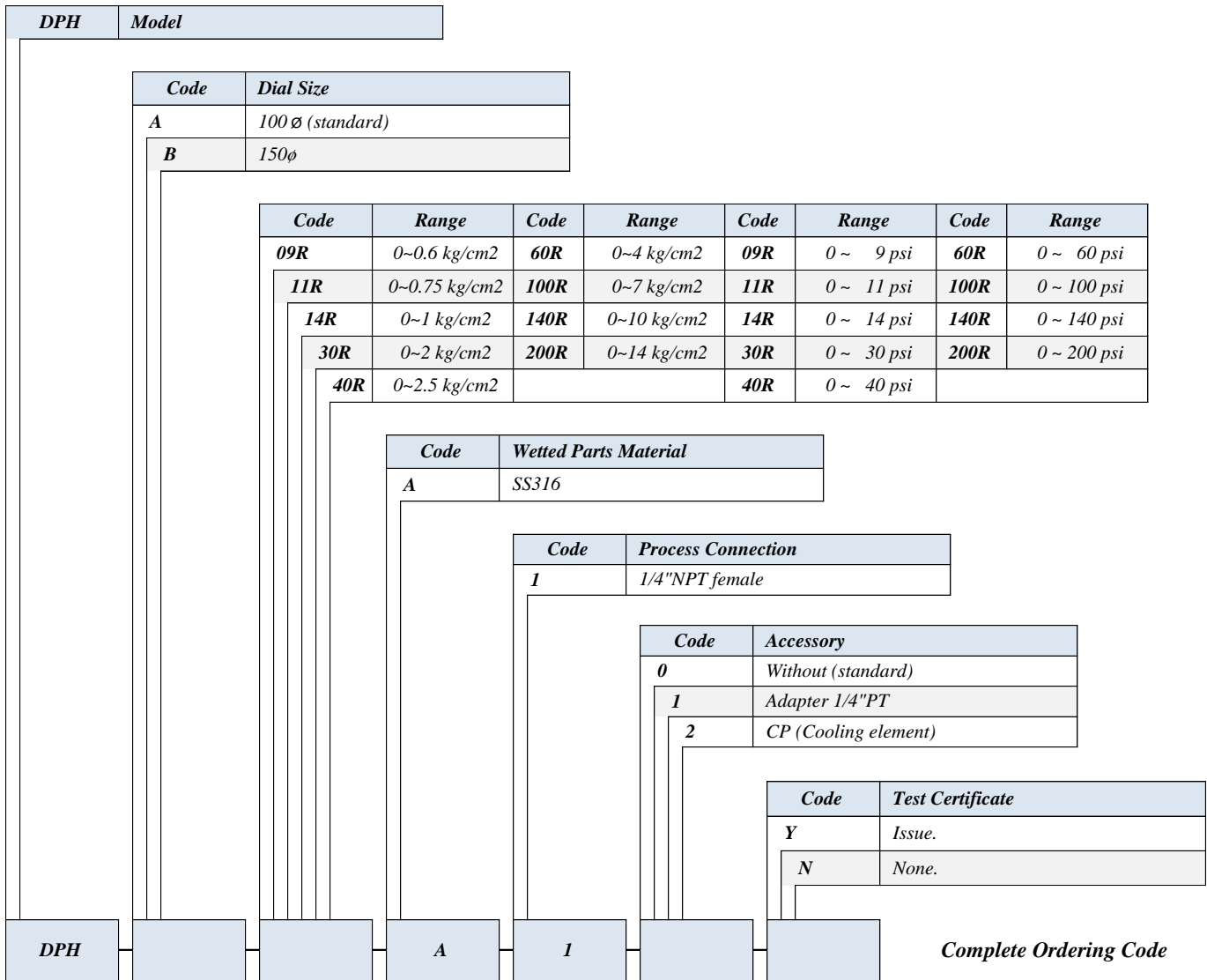
316SS
250bar at 25°C
1/4"NPT [M] x 1/4"PT [F]

COOLING ELEMENT



CP
316SS
250bar at 25°C
Temperature Limit : Max. 150°C
1/4"NPT [M] x 1/4"PT [F]

Ordering Information



| FLOW | | PRESSURE | | TEMPERATURE | | AC | | DC | | BATTERY | | OUTPUT | | CONTACT | | DISPLAY |