

# DT101

MINI TYPE DIAPHRAGM SEAL

Approvals:



RANGE

0 ~ 6 ...  
**40 bar**

SIZE

1/4 ...  
**1/2 Inch**

MEDIA

**Liquid  
&  
Gas**



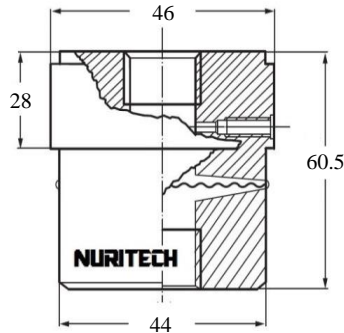
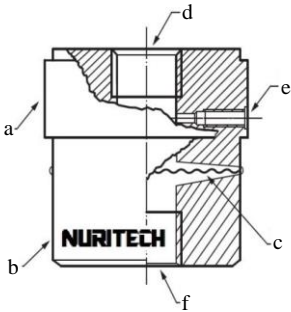
CONNECTABLE DEVICE

DT101

## SPECIFICATION

<b>MODEL</b>	DT101
<b>CONNECTION</b>	1/4", 3/8", 1/2" NPT, PF Female
<b>BODY MATERIAL</b>	316SS
<b>MEMBRANE MATERIAL</b>	316LSS
<b>TEMPERATURE LIMITED</b>	-40 ~ 150°C

## DIMENSION (mm)



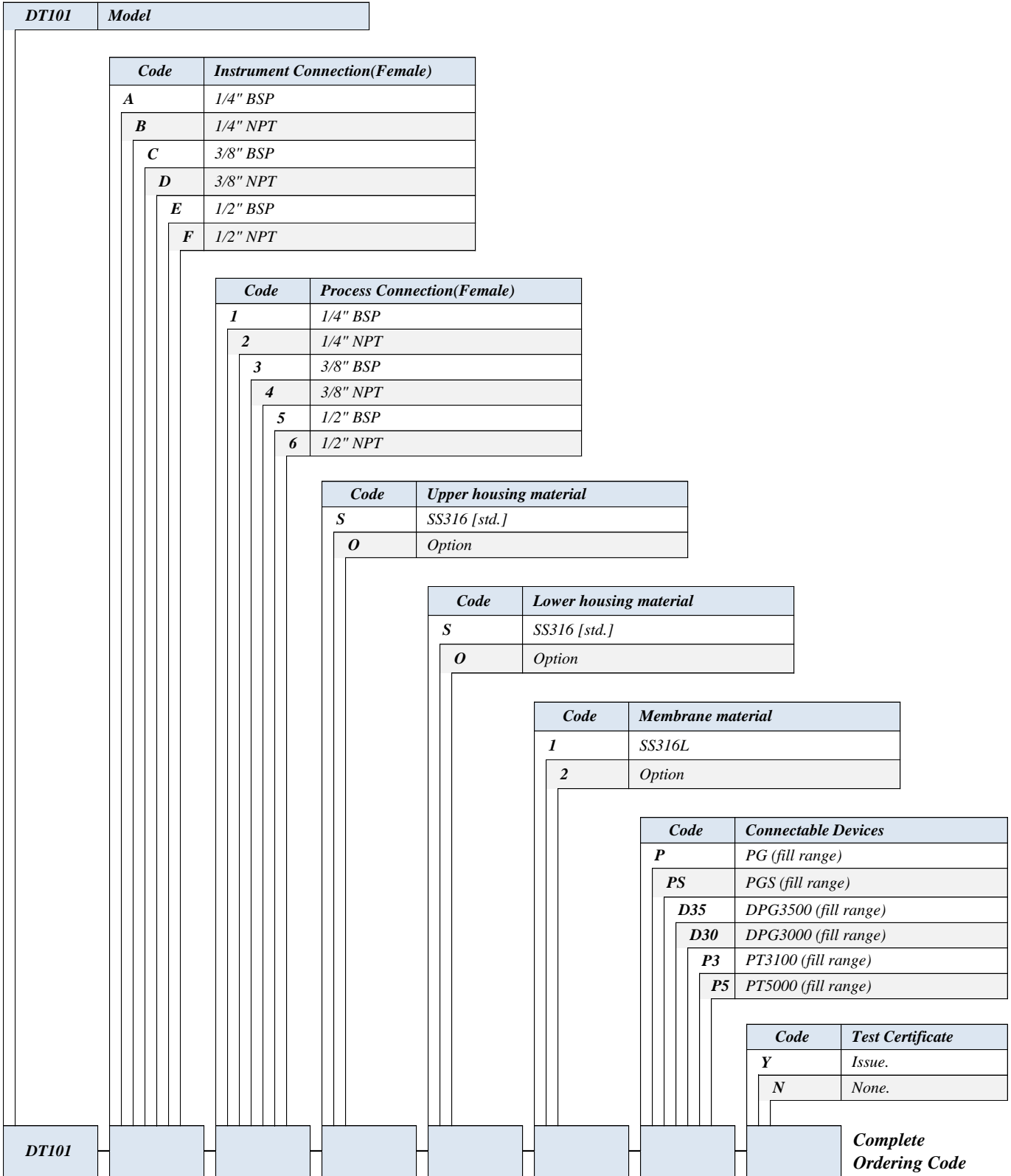
Item	Description of parts
a	Upper housing
b	Lower housing
c	Membrane
d	Instrument connection
e	Filling port
f	Process connection

제품의 사양에 따라 변경 될 수 있습니다.

## CONNECTABLE DEVICES

Model	PG	PGS	DPG3500	DPG3000	PT3100	PT5000
Accuracy	±1.6% F.S.	±1.0% F.S.	±1.0% F.S.	±0.5% F.S.	±0.5% F.S.	±0.2% F.S.
Gauge outdia.	60mm	100mm	80mm	75mm		
Output					DC4-20mA	DC4-20mA
Range	0 ~ 6 0 ~ 10 0 ~ 16 0 ~ 25 0 ~ 40	0 ~ 7 0 ~ 10 0 ~ 16 0 ~ 20 0 ~ 25 0 ~ 28 0 ~ 35 0 ~ 40	0 ~ 7 0 ~ 14 0 ~ 20 0 ~ 35	0 ~ 7 0 ~ 35	0 ~ 6 0 ~ 10 0 ~ 16 0 ~ 25 0 ~ 40	0 ~ 6 0 ~ 10 0 ~ 16 0 ~ 25 0 ~ 40
Unit : bar or kg/cm <sup>2</sup>						

### Ordering Information



| FLOW | | PRESSURE | | TEMPERATURE | | AC | | DC | | BATTERY | | OUTPUT | | CONTACT | | DISPLAY |