

# PND

## FLUSH DIAPHRAGM PRESSURE TRANSMITTER

RANGE

0 ~ 0.5 ...  
**350 bar**

ACCURACY

+/-  
**0.5 %**

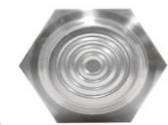
MEDIA

**Liquid  
&  
Gas**



TFS Type

TFS Bottom View



SCS Type

### SPECIFICATION

<b>MODEL</b>	PND
<b>ACCURACY</b>	±0.5% F.S.
<b>RANGE</b>	0 ~ 0.5 ... 350 bar 0 ~ 0.5 bar 부터 0 ~ 350 bar 사이의 모든 압력범위 제작가능 진공 및 연성 제작 가능
<b>OUTPUT</b>	DC4-20mA : 2-wire or 4-wire 1~5V DC : 3-wire or 4-wire 0.1~5V DC : 3-wire or 4-wire 0.1~10V DC : 3-wire or 4-wire
<b>POWER</b>	DC24V
<b>TEMPERATURE LIMIT</b>	Operating : -10 ~ 80℃ : Max.200℃* [ with cooling element ] Ambient : -10 ~ 60℃
<b>COMPENSATED TEMPERATURE</b>	0 ~ 50℃
<b>MATERIAL</b>	Housing : 304SS Wetted Parts : 316SS Other materials available
<b>UNIT</b>	bar, kgf/cm2, MPa, kPa, psi, mmH2O, mmHg... Other units available
<b>ELECTRICAL CONNECTION</b>	DIN 43650 M12 Connector* Cable*

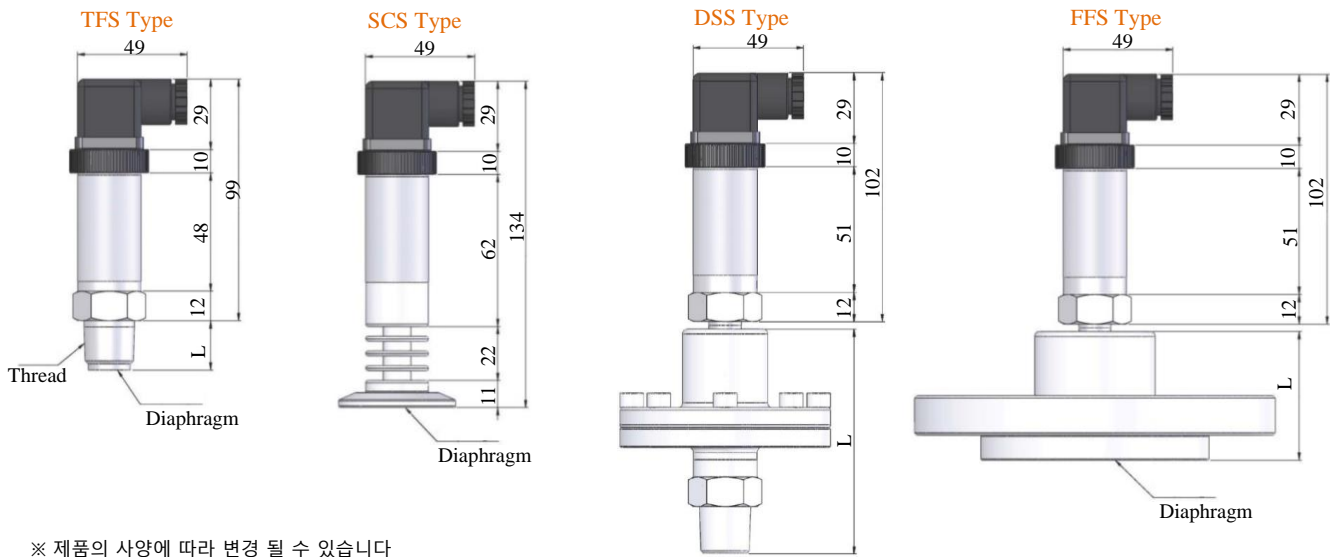
\*=Optional

### DIAPHRAGM SEAL

	Threaded Flush Diaphragm Seal TFS 1/2", 3/4", 1", 1-1/2", 2" PT Male -10 ~ 80℃ Max.200℃* 316LSS, Hastelloy C* @25℃		Sanitary Clamped Diaphragm Seal SCS 1, 1.5, 2, 3S -15 ~ 120℃ Max.200℃* 316LSS, Hastelloy C* @25℃																												
	<table border="1"> <tr> <th colspan="5">Temperature coefficient (mbar/10℃)</th> </tr> <tr> <th>1/2"</th> <th>3/4"</th> <th>1"</th> <th>1-1/2"</th> <th>2"</th> </tr> <tr> <td>+100</td> <td>+50</td> <td>+30</td> <td>+15</td> <td>+6</td> </tr> </table>		Temperature coefficient (mbar/10℃)					1/2"	3/4"	1"	1-1/2"	2"	+100	+50	+30	+15	+6	<table border="1"> <tr> <th colspan="5">Temperature coefficient (mbar/10℃)</th> </tr> <tr> <th>1S</th> <th>1.5S</th> <th>2S</th> <th>3S</th> <th>4S</th> </tr> <tr> <td>+20</td> <td>+15</td> <td>+5</td> <td>+2</td> <td>+2</td> </tr> </table>	Temperature coefficient (mbar/10℃)					1S	1.5S	2S	3S	4S	+20	+15	+5
Temperature coefficient (mbar/10℃)																															
1/2"	3/4"	1"	1-1/2"	2"																											
+100	+50	+30	+15	+6																											
Temperature coefficient (mbar/10℃)																															
1S	1.5S	2S	3S	4S																											
+20	+15	+5	+2	+2																											
	Diaphragm Screw Seal DSS 1/2", 3/4", 1"PT Male or Female -40 ~ 200℃ -75 ~ 300℃* 316LSS Hastelloy C, Inconel 600, Tantalum Titanium, Nickel*		Flush Diaphragm Seal FFS 40, 50, 80, 100A -40 ~ 200℃ -75 ~ 300℃* 316LSS Hastelloy C, Inconel 600, Tantalum Titanium, Nickel, Teflon Coating*																												

FLOW | PRESSURE | TEMPERATURE | AC | DC | BATTERY | OUTPUT | CONTACT | DISPLAY

### DIMENSION (mm)



※ 제품의 사양에 따라 변경 될 수 있습니다

### OPTION ( FOR HIGH TEMPERATURE )



**COOLING ELEMENT**  
CP  
316SS  
Temperature Limit : Max. 200°C



**CAPILLARY TUBE**  
CL  
Stainless Steel  
Temperature Limit : Max. 300°C

### ELECTRICAL CONNECTION



**DIN43650 (std.)**

Protection  
IP65  
  
Cable Length  
Approx. 1.4M (std.)  
Other lengths  
available on request  
2-wire type  
not included cable



**M12 Connector**

Protection  
IP67  
  
Cable Length  
Approx. 2.8M (std.)  
Other lengths  
available on request



**Cable**

Protection  
IP65  
  
Cable Length  
Approx. 1.4M (std.)  
Other lengths  
available on request

### RELATED PRODUCTS

## PD1

PRESSURE INDICATOR  
Only Display



<b>MODEL</b>	PD1
<b>DISPLAY</b>	4-Digit Red LED
<b>ACCURACY</b>	±0.2% F.S.
<b>SAMPLING CYCLE</b>	200ms
<b>INPUT</b>	DC4-20mA
<b>OUTPUT</b>	None
<b>AMBIENT TEMPERATURE</b>	-10 to 60°C
<b>HOUSING MATERIAL</b>	ABS Resin
<b>POWER</b>	AC110/220V, 50~60Hz DC24V [ option ]
<b>FEATURE</b>	Adjustable Scale & Decimal Point Peak Hold Correction of error Built in Power supply for transmitter [ DC24V ]
<b>MOUNTING</b>	Panel mounting Type

Size : 96(W) x 48(H) x 112(D)  
Panel Cut : 92(W) x 45(H)

## PD2

PRESSURE INDICATOR  
Output Signal



<b>MODEL</b>	PD2
<b>DISPLAY</b>	4-Digit Red LED
<b>ACCURACY</b>	±0.2% F.S.
<b>SAMPLING CYCLE</b>	200ms
<b>INPUT</b>	DC4-20mA
<b>OUTPUT</b>	DC4-20mA 2-Relays output [DC24V-1A, AC240V-0.5A] RS-485 [ option ] 1~5V DC [ option ]
<b>AMBIENT TEMPERATURE</b>	-10 to 60°C
<b>HOUSING MATERIAL</b>	ABS Resin
<b>POWER</b>	AC110/220V, 50~60Hz DC24V [ option ]
<b>FEATURE</b>	Adjustable Scale & Decimal Point Peak Hold Correction of error Built in Power supply for transmitter [ DC24V ]
<b>MOUNTING</b>	Panel mounting Type

### Ordering Information

Code	Model
<b>PND</b>	PND (std.)
<b>PND-CP</b>	PND-CP (고온용)
<b>PND-CL</b>	PND-CL (고온용)

Code	Diaphragm Seal
<b>1</b>	TFS
<b>2</b>	SCS
<b>3</b>	DSS
<b>4</b>	FFS

Code	Pressure Range
제작범위	0~0.5 bar 부터 0~350 bar 까지 요청 압력범위 선택 ex) 0~1 bar, 0~10 bar, 0~100 bar ...
선택기재	진공압 및 연성압 제작 가능 ex) -1~0 bar, -1~+1 bar, -1~+10 bar ...

Code	Output
<b>1</b>	4-20mA
<b>2</b>	1-5V DC
<b>3</b>	0.1-5V DC
<b>4</b>	0.1-10V DC

Code	Wiring
<b>1</b>	2-wire [ mA output ]
<b>2</b>	3-wire [ VDC output ]
<b>3</b>	4-wire [ mA or VDC output ]

TFS Type		SCS Type		DSS Type		FFS Type	
Code	Size	Code	Size	Code	Size	Code	Size
<b>T1</b>	1/2"PT	<b>S1</b>	1S	<b>D1</b>	1/2"PT	<b>F40</b>	40A
<b>T2</b>	3/4"PT	<b>S1.5</b>	1.5S	<b>D2</b>	3/4"PT	<b>F50</b>	50A
<b>T3</b>	1"PT	<b>S2</b>	2S	<b>D3</b>	1"PT	<b>F80</b>	80A
<b>T4</b>	2"PT	<b>S3</b>	3S			<b>F100</b>	100A

※ Special process connections available on request

Code	Electrical Connection
<b>1</b>	DIN 43650 (std.)
<b>2</b>	M12 Connector
<b>3</b>	Cable

**Complete Ordering Code**

| FLOW | | PRESSURE | | TEMPERATURE | | AC | | DC | | BATTERY | | OUTPUT | | CONTACT | | DISPLAY |